

# **F I S H E R & P A Y K E L**

## **SINGLE DISHDRAWER™ DISHWASHER**

---

**DD60SA & DD60SC**  
models

**INSTALLATION GUIDE**

**NZ AU GB IE SG**

**591151D 05.19**

**⚠ WARNING!**



**Electrical shock hazard**  
Before installing the dishwasher, remove the house fuse or open the circuit breaker.  
This appliance must be earthed. In the event of a malfunction or breakdown, earthing will reduce the risk of electric shock by providing a path of least resistance for electric current. This appliance is equipped with a cord having an equipment-earthing conductor and an earthing plug. The plug must be plugged into an appropriate outlet that is installed and earthed in accordance with all local codes and ordinances. Failure to follow this advice may result in electrical shock or death.

**⚠ WARNING!**



**Electrical shock hazard**  
**WARNING-** Improper connection of the equipment-earthing conductor can result in a risk of electric shock. Check with a qualified electrician or service representative if you are in doubt as to whether the appliance is properly earthed. Do not modify the power supply plug provided with the appliance - if it will not fit the outlet, have a proper outlet installed by a qualified electrician. Do not use an extension cord, adapter plug or multiple outlet box. Failure to follow this advice may result in electrical shock or death.

**⚠ WARNING!**



**Cut Hazard**  
Take care - panel edges are sharp. Failure to use caution could result in injury or cuts.

**IMPORTANT!**  
**SAVE THESE INSTRUCTIONS**

The models shown in this installation guide may not be available in all markets and are subject to change at any time. For current details about model and specification availability in your country, please go to our website [www.fisherpaykel.com](http://www.fisherpaykel.com) or contact your local Fisher & Paykel dealer.

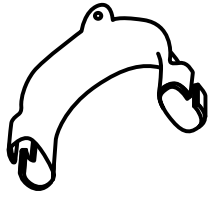
## **IMPORTANT SAFETY INSTRUCTIONS**

- **Installation of this dishwasher requires basic mechanical and electrical skills.**
- **Be sure to leave these Instructions with the Customer.**
- **Installation must comply with your local building and electricity regulations.**
- **At the completion of the dishwasher installation, the Installer must perform the Final Checklist.**
- **Remove all packaging materials supplied with the dishwasher.**
- **This dishwasher is manufactured for indoor use only.**
- **Ensure all water connections are turned OFF. It is the responsibility of the plumber and electrician to ensure that each installation complies with all Codes and Regulations.**
- **The dishwasher MUST be installed to allow for future removal from the enclosure if service is required.**
- **The switched power outlet must be outside the dishwasher cavity, so that it is accessible after installation.**
- **Care should be taken when the appliance is installed or removed to reduce the likelihood of damage to the power supply cord and hoses.**

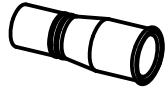
## **IMPORTANT SAFETY INSTRUCTIONS**

- **If the dishwasher is to be relocated from one installation to another it must be kept upright to avoid damage from water spillage.**
- **Make sure only new hoses are used for connection (supplied with the dishwasher). Old hoses should not be reused.**
- **Failure to install the dishwasher correctly could invalidate any warranty or liability claims.**
- **If the product is installed in a motor vehicle, boat or similar mobile facility, you must bring the vehicle, boat or mobile facility containing the product to the service shop at your expense or pay the service technician's travel to the location of the product.**

## ② PARTS SUPPLIED



Drain hose support (1)



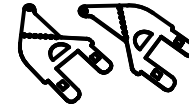
Drain hose joiner (1)



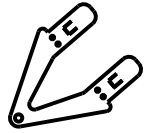
Wire clip (1)  
(for securing  
Drain hose joiner)



Clamp (1)  
(for securing  
Drain hose joiner)



Side mounting  
bracket kit  
(A and B) (2)  
OPTIONAL



Top  
mounting  
brackets (2)  
OPTIONAL



Phillips  
16 mm  
screws (7)



38 mm  
bottom fixing  
screws & metal  
washers (2)



Rubber washer  
for inlet hose (1)  
(comes already  
fitted)



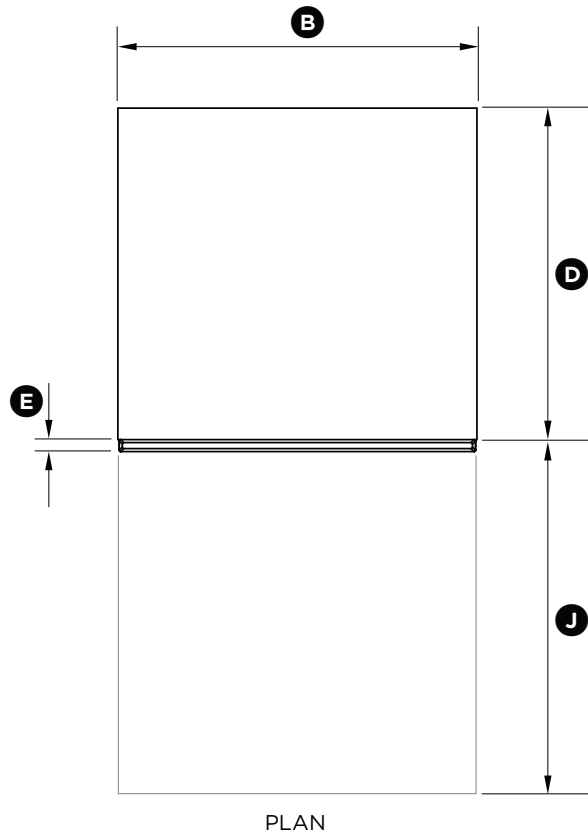
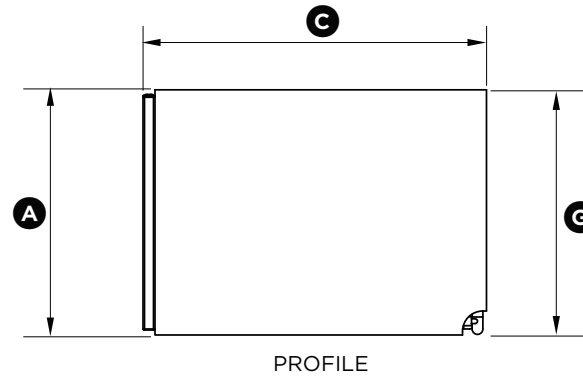
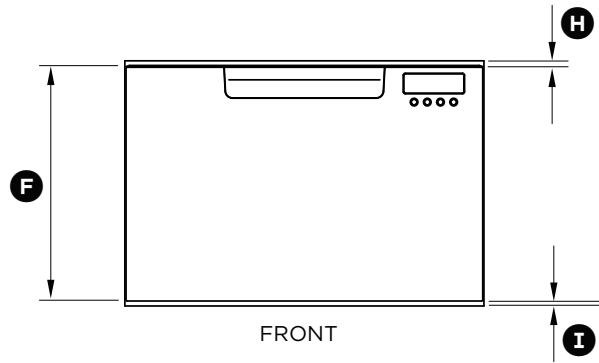
Moisture protection  
tape (1)  
(to prevent moisture  
damage to cabinetry)

If the Drain hoses supplied are not long enough to reach your services, you must use a Drain Hose Extension Kit P/N 525798 which will extend the drain hoses by 3.6 m. The kit is available from the nearest Fisher & Paykel Authorised Service Centre or our local website listed at the end of this document.

### Dishdrawer™ installation overview

This video provides an overview of what is needed to install a DishDrawer™. It is intended as an overview only of the installation process and is not intended to be used as a guide on how to install a DishDrawer™ yourself. <https://vimeo.com/325297597>

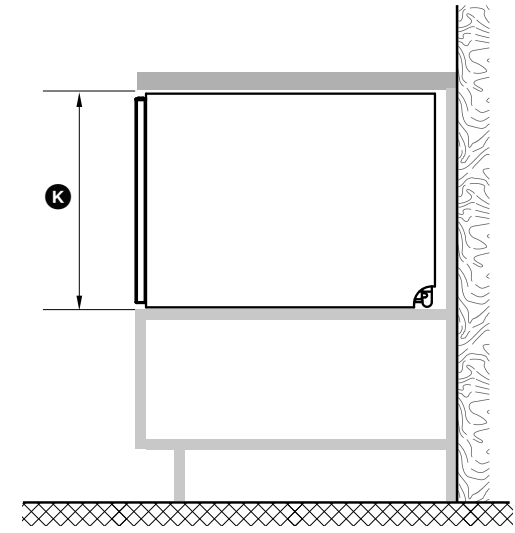
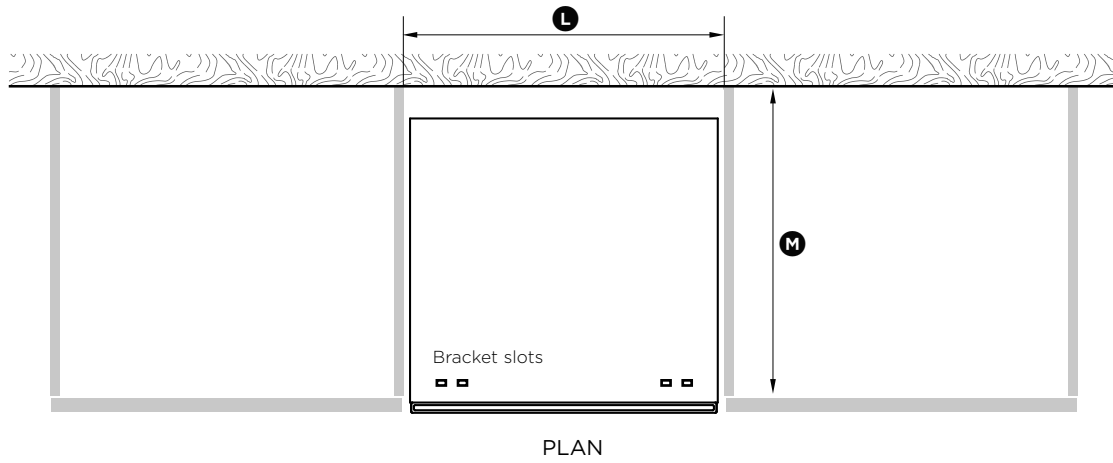
### 3 PRODUCT DIMENSIONS



PRODUCT DIMENSIONS	DD60SA	DD60SCT
	MM	MM
(A) Overall height of product <sup>1</sup>	410	454
(B) Overall width of product	599	599
(C) Overall depth of product	573	573
(D) Depth of chassis (to back of front drawer panel)	553	553
(E) Depth of drawer front panel	20	20
(F) Height of drawer front panel	393	437
(G) Height of chassis <sup>1</sup>	410	454
(H) Height from top of drawer front panel to top of chassis	8	8
(I) Ventilation gap below drawer front panel	7	7
(J) Maximum extension of drawer	547	547

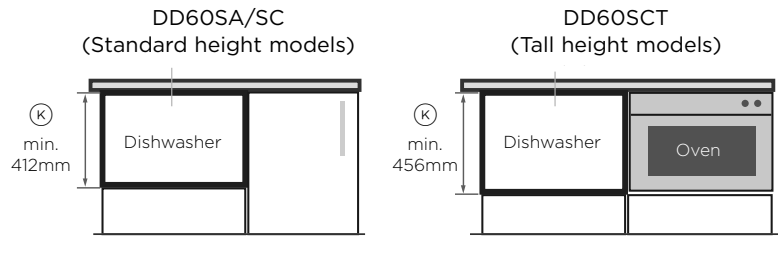
<sup>1</sup> includes 2mm high bracket slots

## ④ CABINETY DIMENSIONS

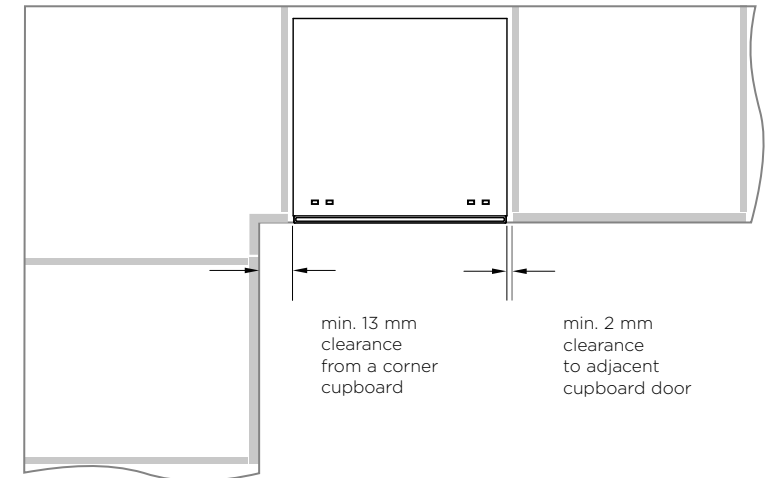


CABINETY DIMENSIONS	DD60SA DD60SC	DD60SCT
	MM	MM
Ⓚ Inside height of cavity	min. 412	min. 456
Ⓛ Inside width of cavity	600	600
Ⓜ Inside depth of cavity	min. 560	min. 560

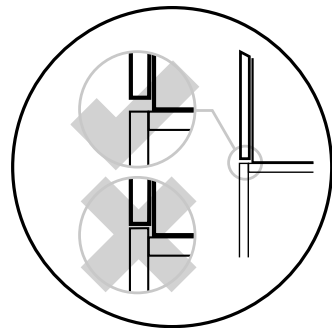
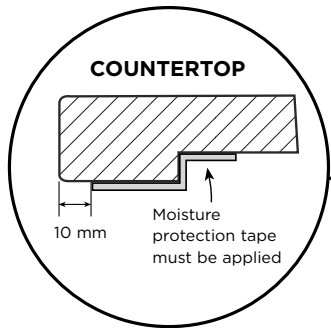
Cavity height options allow you to match dishwasher with your cabinetry or companion products



### Minimum clearances from adjacent cabinetry



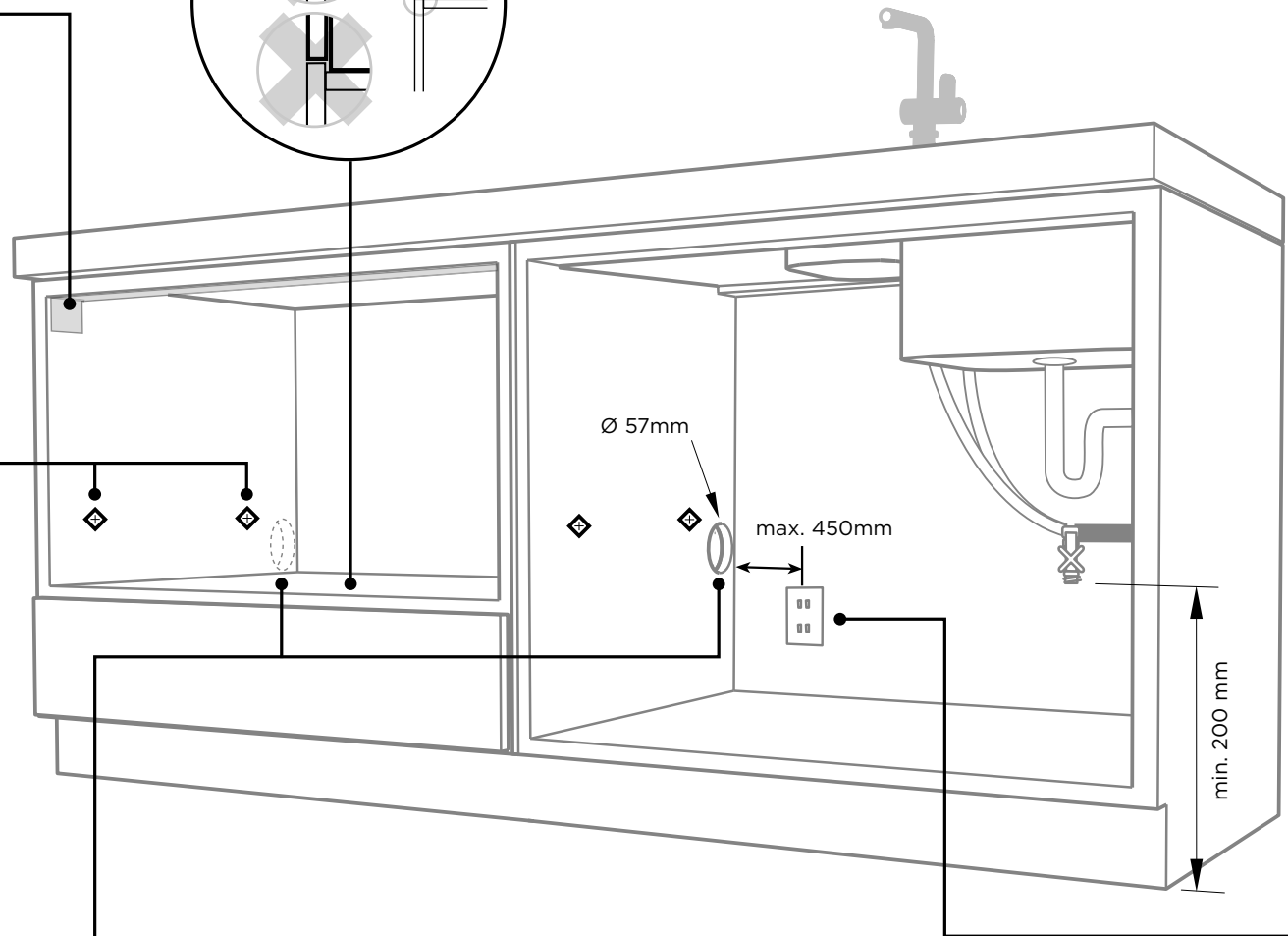
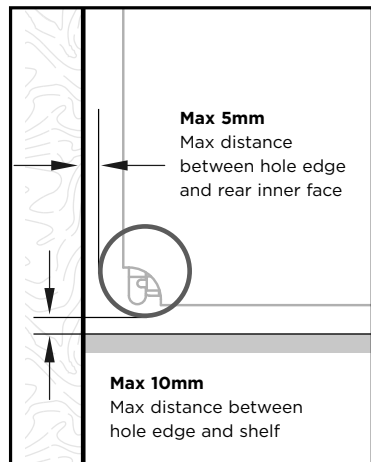
## 5 CAVITY PREPARATION



These marks indicate formed bracket screw locations, if securing by drawer removal.

If there is no side partition, you can construct timber bracing as something to secure into.

**WARNING!**  
Incorrect placement of the hole will result in damage to hoses.



### Water Connection

Recommended **COLD**  
(Maximum 60°C).

3/4" BSP (GB20) to suit flat washer.

### Water Pressure

#### Water softener models

Max. 1 MPa (145 psi)  
Min. 0.1 MPa (14.5 psi)

#### Models without water softener

Max. 1 MPa (145 psi)  
Min. 0.03 MPa (4.3 psi)

### Service Holes

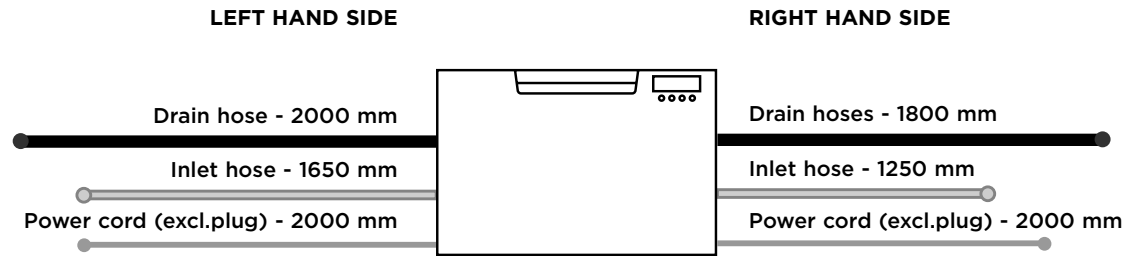
Can be located either side of dishwasher, close to the rear face and the shelf, as illustrated.

- If the hole is through wood, make sure its edges are smooth and rounded.
- If the hole is through metal, ensure you fit the supplied Edge Protector to prevent damage to the power cord.

**IMPORTANT!**  
The power outlet must be located in a cabinet adjacent to the dishwasher cavity.  
**220-240 VAC min. 4.8 A**

⑥ **MAXIMUM DISTANCE OF HOSES & CORD FROM CHASSIS EDGE**

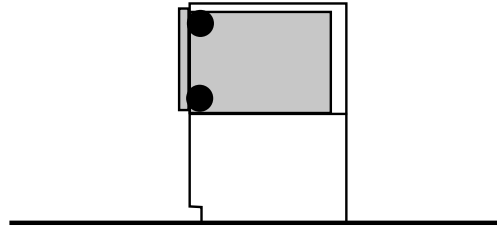
---





**NOW CHOOSE WHICH INSTALLATION METHOD (A) OR (B)  
IS MORE SUITABLE FOR YOUR CABINETY...**

**7 RECOMMENDED METHOD (A) - SECURE WITHOUT DRAWER REMOVAL (FRAMELESS CABINETY ONLY)**



**8-A ATTACH SIDE MOUNTING BRACKETS**

Clip all four side mounting brackets into their slots using a flat-bladed screwdriver. Ensure they're securely fitted before sliding product into cavity.

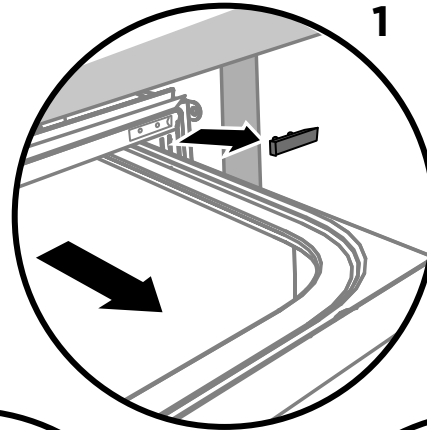
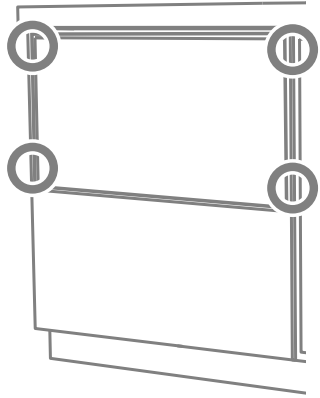
The mounting slots are in pairs, one on each side diagonally across the product. **A** bracket must match **A** slot and **B** bracket must match **B** slot.

When fitting brackets, ensure the ends are not pushed down into the chassis.

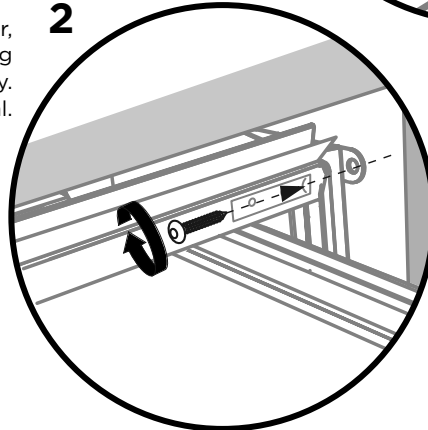
**9-A PULL THROUGH HOSES & PUSH INTO THE CAVITY**

As you push product in, pull through hoses and cord, ensuring they don't get kinked or twisted.

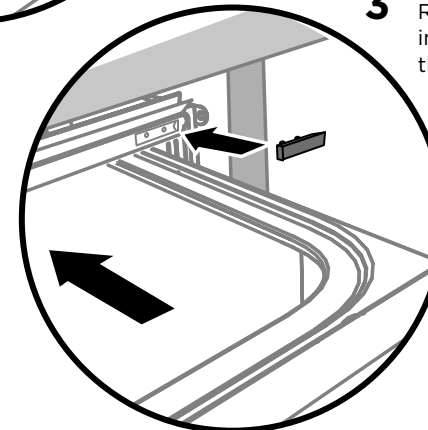
**IMPORTANT!**  
If product cannot be pushed in far enough, pull out again and rearrange hoses and cord. Do not use excessive force, as doing so may squash the hoses and lead to incorrect operation.



**1** Open the drawer halfway. Using a flat bladed screwdriver, prise the grey rubber plug out of the trim moulding.



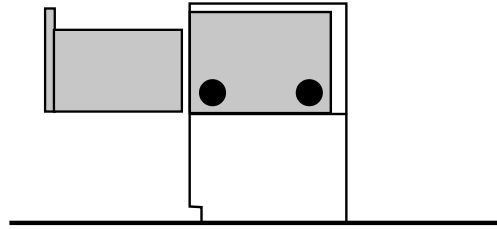
**2** Using a small Philips screwdriver, screw through the trim moulding, securing the side mounting bracket to the cabinetry. Do not damage the rubber trimseal.



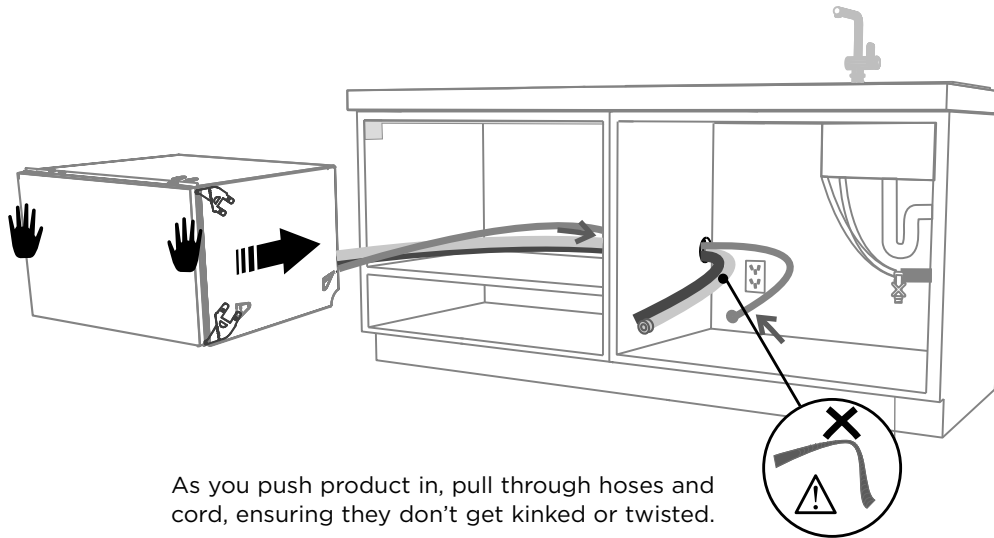
**3** Replace the grey rubber plug back into the trim moulding and ensure the trim seal is facing forward.

Repeat for all four brackets.

⑦ **ALTERNATIVE METHOD (B) - SECURE BY DRAWER REMOVAL**



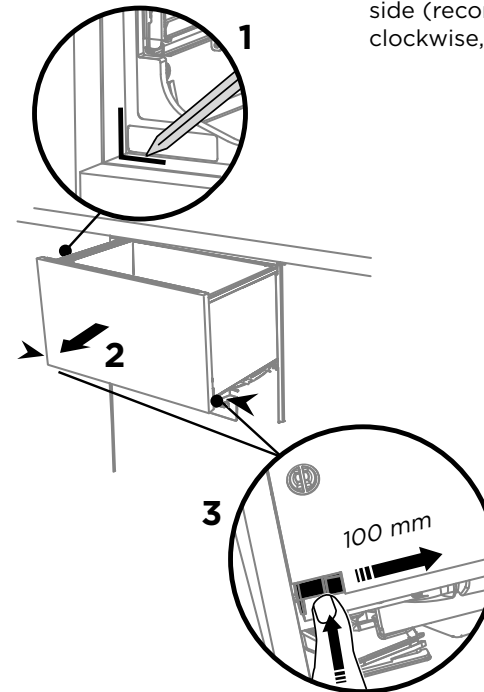
⑧-B **PULL THROUGH HOSES & PUSH INTO THE CAVITY**



As you push product in, pull through hoses and cord, ensuring they don't get kinked or twisted.

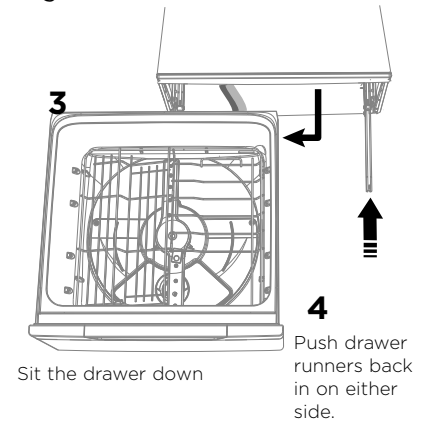
**IMPORTANT!**  
If product cannot be pushed in far enough, pull out again and rearrange hoses and cord. Do not use excessive force, as doing so may squash the hoses and lead to incorrect operation.

⑨-B **REMOVE THE LOWER DRAWER**

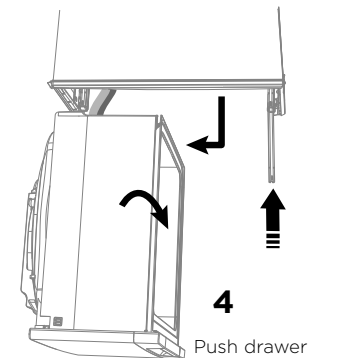


Press the release tabs in on either side and push back to release drawer from runners. Lift drawer off runners.

**To prevent kinked hoses**  
Either sit the drawer down on the left hand side (recommended) or rotate the drawer clockwise, resting it on its side after removal.



Sit the drawer down  
Push drawer runners back in on either side.



Rotate the drawer clockwise (max. 90°) and rest on side.  
Push drawer runners back in on either side.

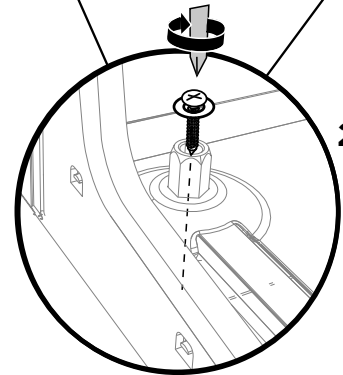
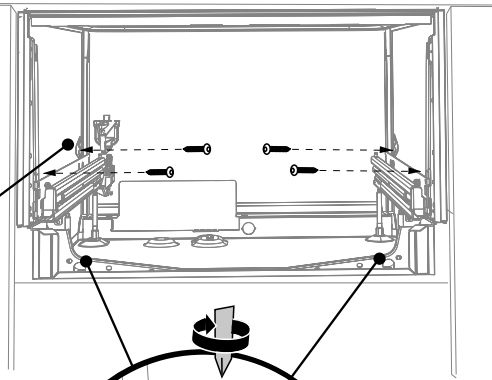
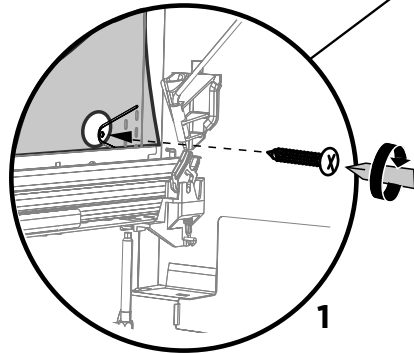
10-B

### SECURE TO THE CABINETRY ON THE SIDES

The product has three pairs of fixing points:

Ensure the sound insulation is repositioned correctly.

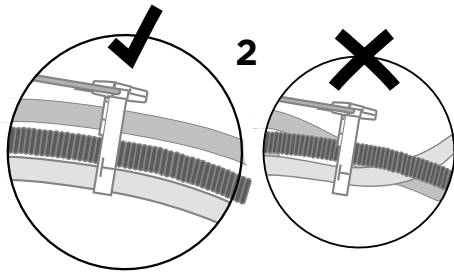
two pairs of formed brackets on either side of the chassis (use 16 mm screws)



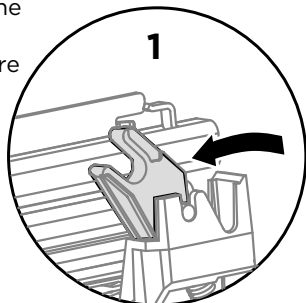
a pair of fixing holes either side on the bottom (use 38 mm fixing screws & washers)

11-B

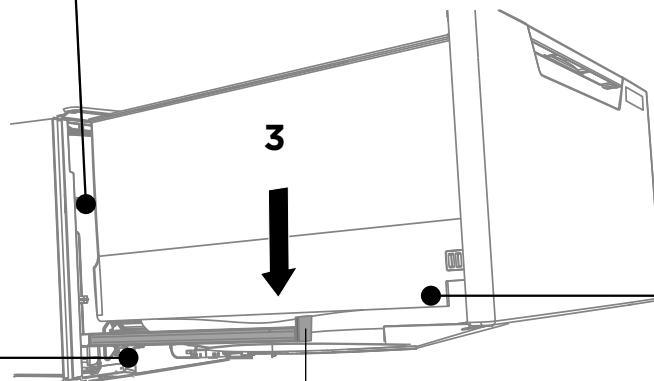
### REFIT THE DRAWER ONTO THE RUNNERS



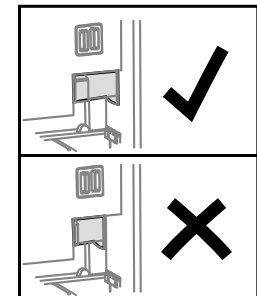
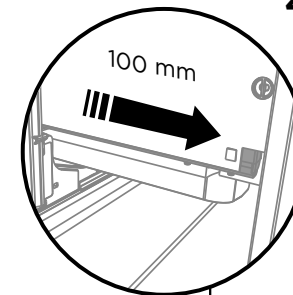
Before refitting the drawer, ensure the hoses are not twisted and the latches at the rear of each drawer runner are facing forward.



Lift or rotate anti-clockwise the drawer back onto the drawer runners on either side.



Release tab



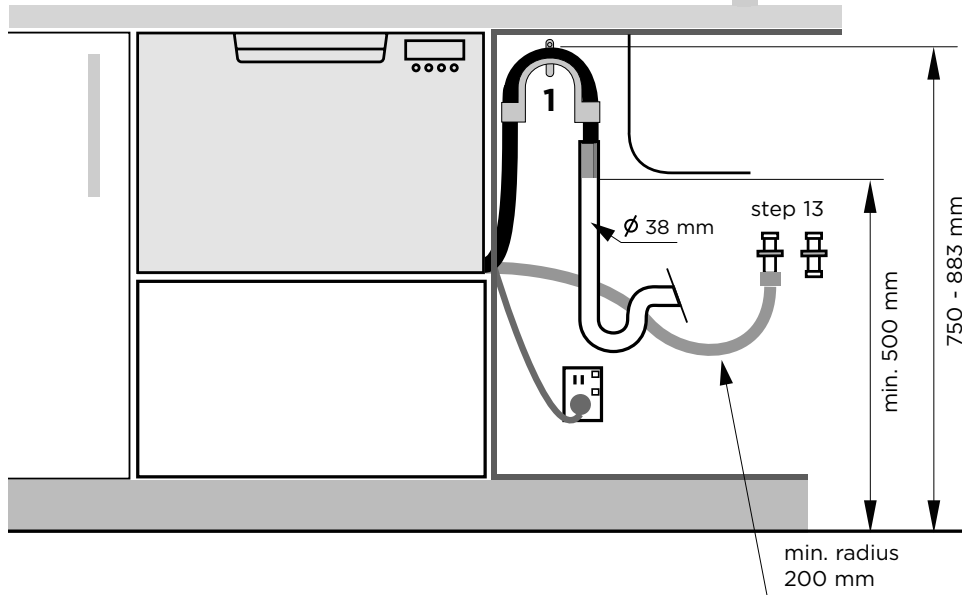
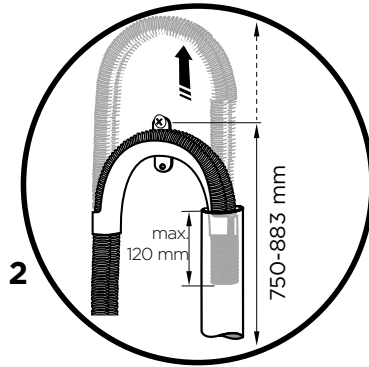
Pull the release tabs forward on both sides 100 mm. Ensure the tabs are fully pulled forward and click into place.

12 THERE ARE TWO DIFFERENT PLUMBING AND DRAINAGE OPTIONS. CHOOSE WHICH IS MORE SUITABLE.

**DRAINAGE OPTION 1**  
Dishwasher and Ø 38 mm Standpipe

Screw Drain hose support to back wall at correct height.

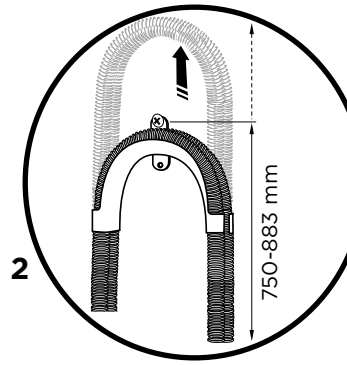
If space is limited for fixing, push hose through drain hose support to required height.



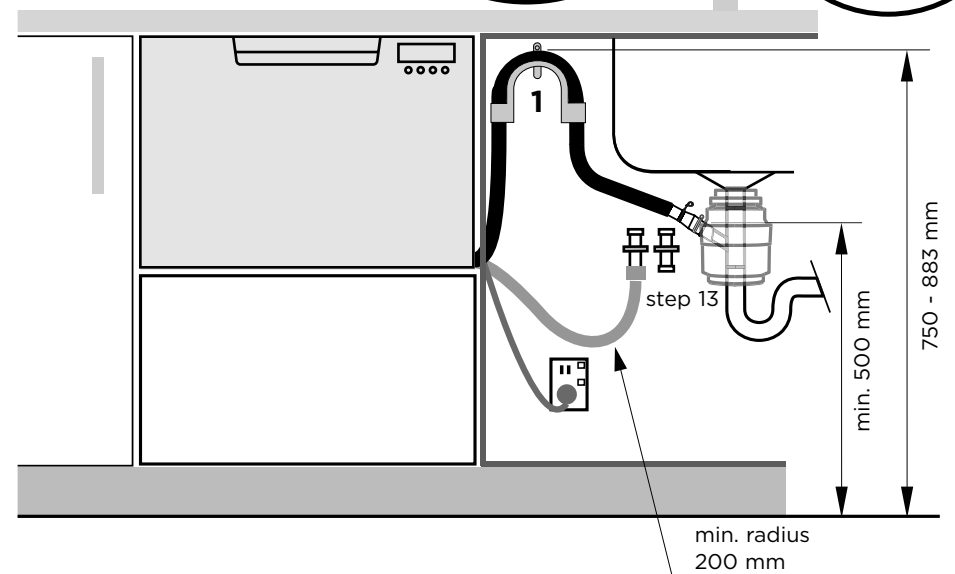
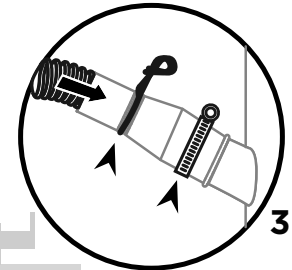
**DRAINAGE OPTION 2**  
Dishwasher using drain hose joiner onto sink trap/waste tee

Screw Drain hose support to back wall at correct height.

If space is limited for fixing, push hose through drain hose support to required height.



Supplied drain hose joiner to suit 19 mm waste tee



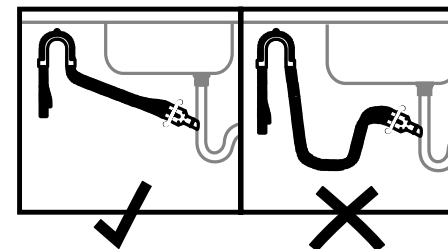
**IMPORTANT!**

Ensure that drain hose is installed as close to the underside of the benchtop as possible. This will ensure no waste re-enters the drain hose in the event of poor flow or a blockage in the plumbing.

Ensure the drain hose does not extend into water retained in the trap; an air gap is required to prevent waste water from siphoning back into the tub.

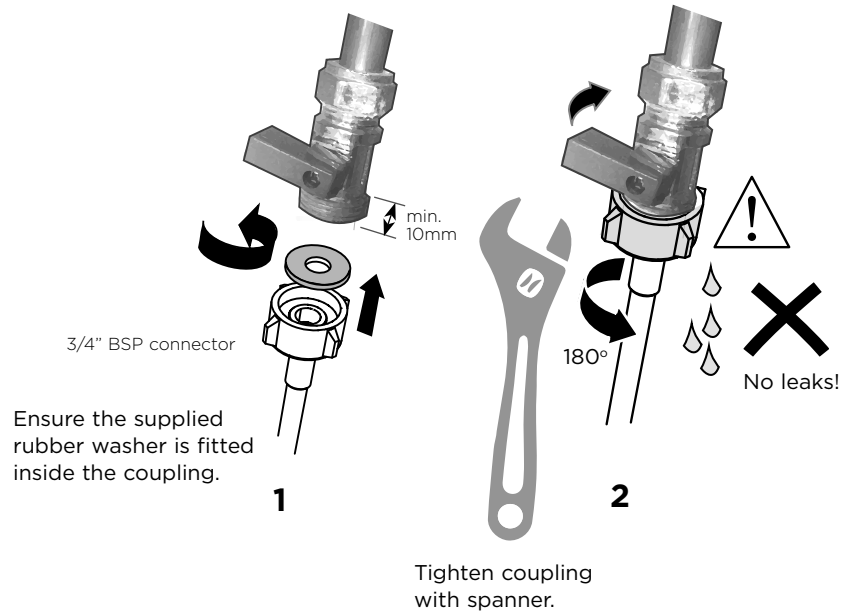
**IMPORTANT!**

Ensure that drain connection complies with local plumbing regulations.

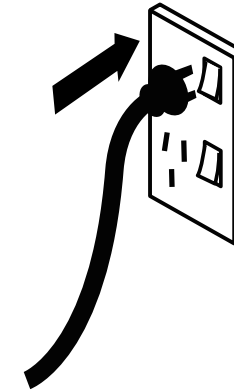


Ensure drain hose is routed straight to the joiner so that waste water does not accumulate in the hose. Remove excess drain hose material if necessary. Do not shorten the inlet hose.

13 CONNECT INLET HOSE TO COLD WATER



14 PLUG PRODUCT IN

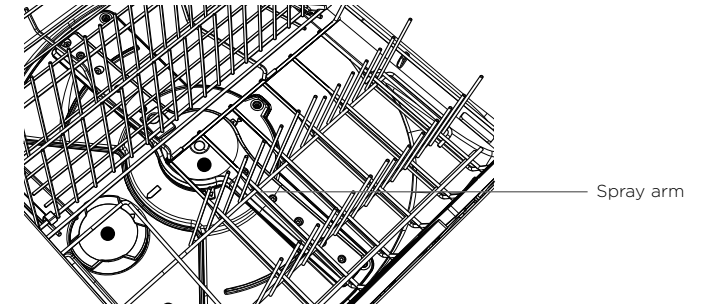


- **Excessive water remaining above the filter plate, after the rinse cycle. (This is displayed as an **R3** fault)**  
Check for a kinked drain hose, blocked waste connection, highloop not properly installed, drain hose not routed correctly or spray arm not in place.
- **No water supply. (This is displayed as an **R1** fault)**  
Check water is connected and turned on.
- **The dishwasher is beeping continuously**  
There is a fault. See section 'If there is a fault' in the User guide for further information and instructions.
- **No program indicator lights up when the drawer is opened**  
Ensure power is connected and is switched on. If it is and still no indicator lights up, see the 'Preference options' section of the 'Quick start guide'.  
An option called 'Open drawer auto power-on' may need to be turned on.
- **Water around water supply and drainage connections**  
Check connections, existing plumbing and hoses for leaks. Check rubber washer and hose clamp are correctly fitted.
- **If product is tipping**  
Ensure the product is secured to the cabinetry.
- **Drawer doesn't close properly**  
Ensure nothing is obstructing the drawer from closing properly eg hoses or drawer latches.
- If a problem occurs, consult the 'Troubleshooting' section of the User guide.
- If after checking these points you still need assistance, please refer to the Service & Warranty book for warranty details and your nearest Authorised Service Centre, or contact us through our website, listed below.

✓ **TO BE COMPLETED BY THE INSTALLER**

- Check all parts are installed.
- Ensure that all panels and parts thereof are secure and final electrical tests have been conducted in accordance with local electrical regulations.
- Ensure product is level, securely fastened to the cabinetry and opens and closes freely. The drawers must be free to fully close with no resistance from the cabinetry.
- Ensure inlet hose to water supply has supplied rubber washer fitted, and that it's tightened a further half turn after seal contact.
- Ensure any knockouts or plugs in drain connection have been drilled out and drain connection has been made.
- The drain hose joiner must not support the weight of excess hose material. Keep drain hose as fully extended as possible to prevent sagging. Any excess length of drain hose should be kept on the dishwasher side of the highloop.
- If connecting the drain hose to the sink trap, ensure the Highloop is a minimum 150 mm higher than the drain hose joiner.
- Ensure any packaging or tape securing the racks or spray arms is removed from the drawers.
- Water softener models only: adjust the water softener setting from the default setting to suit the water hardness of the area. See the Quick start guide and section 'Water softener' in the User guide.

- Turn on the power and water supplies, then open the drawer. You should hear a beep and see a program indicator light up on the control panel.
- Check the spray arms are in place, mounted correctly and free to rotate, by physically rotating by hand.



- Add three cups of water into the drawer. Press >> until the indicator of the 'Rinse' program lights up. Close the drawer and press ▶|| to start the program.
- After the Rinse program has finished, ensure the dishwasher has run and drained correctly.
- Check the water supply has correctly shut off and drainage connection for leakage.

Complete and keep for safe reference:

Model \_\_\_\_\_

Serial No. \_\_\_\_\_

Purchase Date \_\_\_\_\_

Purchaser \_\_\_\_\_

Dealer Address \_\_\_\_\_

Installer's Name \_\_\_\_\_

Installer's Signature \_\_\_\_\_

Installation Company \_\_\_\_\_

Installation Date \_\_\_\_\_

**FISHERPAYKEL.COM**

Copyright © Fisher & Paykel Appliances 2019. All rights reserved.  
 The product specifications in this booklet apply to the specific products and models described at the date of issue. Under our policy of continuous product improvement, these specifications may change at any time. You should therefore check with your Dealer to ensure this booklet correctly describes the product currently available.