

Integrated Single DishDrawer™ Dishwasher, Sanitise

Series 9 | Integrated

Panel Ready

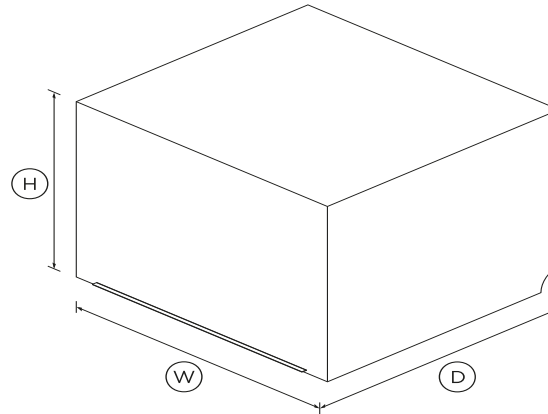


Integrating into your kitchen design seamlessly, each drawer fits a half load that you can load and wash independently.

- Knock to pause function is perfect if you miss a dish
- Six wash programs, as well as additional Quick wash, Sanitise and Extra Dry options
- Customise with your own front panel and handle to match your kitchen cabinetry

DIMENSIONS

Height	410 mm
Width	599 mm
Depth	571 mm



FEATURES & BENEFITS

Ease of use

DishDrawer™ Dishwashers are as easy to open and close as kitchen drawers and can be conveniently positioned at bench height for ease of loading and minimal bending.

Quick, Sanitise and Extra Dry options

The Quick wash modifier delivers a faster wash while maintaining performance. The Sanitise option provides extra protection, killing 99.9% of bacteria in the final rinse. The Extra Dry setting is perfect for plastic dishes.

Knock to pause

Instead of needing a remote control, these DishDrawer™ Dishwashers have a knock to pause function. A double knock on the front panel will pause the dishwasher which can be re-started again by using the start/play button.

Quiet performer

Running at a very low decibel rate, these DishDrawer™ Dishwashers do their job without making a fuss. The combination of intelligent technology and simple mechanics means greater reliability and excellent wash performance.

SPECIFICATIONS

Accessories

Contemporary round handle kit	Part number 81645
Contemporary square handle	Part number 81794
Cutlery basket	•
Knife clip and multipurpose	•
Optional stainless steel door kit	Part number 81254

Capacity and Loading

Accommodates round plates	280mm
Adjustable height, foldable	•
Fold down tines	•
Pitch adjustable tines	•
Place settings	7

Consumption

Energy star rating	3.5
Energy usage	136kWh/year
Water rating (WELS)	4.5 star (WELS)
Water usage	6.9 litres per wash cycle

Controls

Child lock	•
Electronic fault/Diagnostic	•
End of cycle beeps	•
Energy saving delay start	•
Internal wash selector	•
Knock to pause	•
Rinse aid indicator light	•

Features

Fan assisted drying	•
Flow through detergent	•
Quiet operation	•
SmartDrive™ technology	•

Performance

Noise on standard cycle top	43dBA
-----------------------------	--------------

Power requirements

Amperage	4.2A
----------	-------------

Product dimensions

Depth	571 mm
Height	410 mm
Width	599 mm

Warranty

Parts and labour	2 years
------------------	----------------

Wash Programs

Delicate	•
Eco	•
Extra Dry	•
Fast	•
Heavy	•
Medium	•
Number of wash programs	15
Quick	•
Rinse	•
Sanitise	•
Wash modifiers	3

Water connection

Water pressure	0.03 Mpa - 1 Mpa
----------------	-------------------------

SKU	81211
-----	-------

The product dimensions and specifications in this page apply to the specific product and model. Under our policy of continuous improvement, these dimensions and specifications may change at any time. You should therefore check with Fisher & Paykel's Customer Care Centre to ensure this page correctly describes the model currently available. Â© Fisher & Paykel Appliances Ltd 2019.

Other product downloads available at fisherpaykel.com

- [!\[\]\(0cce15e73bc54c78b2c9e303050d05b7_img.jpg\) User Guide](#)
- [!\[\]\(a0f1b256963a6336dfb964def24d40b6_img.jpg\) Service & Warranty Booklet](#)
- [!\[\]\(7680802c5c10edde7f44b56ca75577b8_img.jpg\) Quick Start Guide](#)
- [!\[\]\(286e21b512f19c14610ac6742ae75f2c_img.jpg\) Installation Guide](#)
- [!\[\]\(3b3789986183f9eec3cad402e3bcf4b9_img.jpg\) Resources \(zip\)](#)



A PEACE OF MIND SALE
24 Hours 7 Days a Week Customer Support
T 1300 650 590 W www.fisherpaykel.com