

Oven, 60cm, 9 Function

Series 7 | Contemporary

Stainless Steel

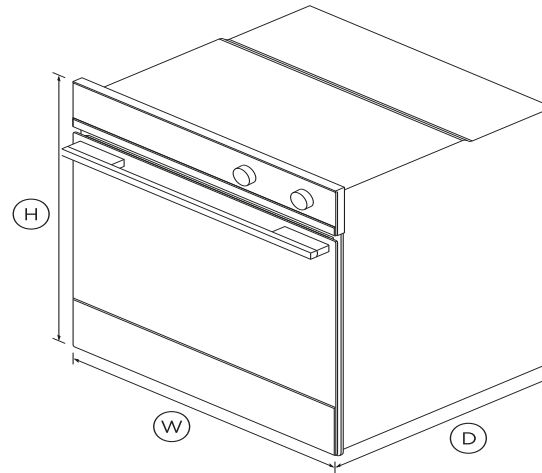


With generous capacity and beautiful contemporary styling, this built-in oven will complement your kitchen design perfectly.

- 85L total capacity, with 9 oven functions including Pizza Bake and Roast
- Moisture level control with ActiveVent™ technology
- Non-tip, full-extension shelves for safe removal of hot dishes

DIMENSIONS

Height	598 mm
Width	596 mm
Depth	565 mm



SPECIFICATIONS

Accessories

Catalytic panels	•
Chromed shelf runners	•
Contemporary round handle kit	Part 81645
Flat brushed baking tray	•
Flat wire shelf	•
Full extension sliding shelves	1 set
Grill rack	•

Roasting dish	•
Smokeless grill tray	•
Step down wire shelf	•

Capacity

Shelf positions	6
Total capacity	85L
Usable capacity	72L

Cleaning

Acid resistant graphite enamel	•
Removable oven door	•
Removable oven door inner	•
Removable shelf runners	•

Controls

Audio feedback	•
Automatic cooking/minute	•
Automatic pre-set	•
Behind glass capacitive touch	•
Celsius/Fahrenheit	•
Electronic clock	•
Electronic oven control	•
Interior light	2 x 25W (halogen)
Precise electronic temperature	•
Sabbath mode	•

Functions

Bake	•
Classic bake	•

Fan bake	•
Fan forced	•
Fan grill	•
Grill	•
Number of functions	9
Pizza bake	•
Roast	•
Vent bake	•

Full extension sliding shelves	•
Non-tip shelves	•

Warranty

Parts and labour	2 years
------------------	----------------

SKU	81738
-----	-------

Performance

ActiveVent™ system	•
AeroTech™ technology	•
Automatic rapid pre-heat	•
Grill power	3000W
Whisper quiet cooking	•

The product dimensions and specifications in this page apply to the specific product and model. Under our policy of continuous improvement, these dimensions and specifications may change at any time. You should therefore check with Fisher & Paykel's Customer Care Centre to ensure this page correctly describes the model currently available. © Fisher & Paykel Appliances Ltd 2019.

Power requirements

Amperage	12.8 - 13.8A
Supply frequency	50Hz
Supply voltage	220 - 240V





Product dimensions

Depth	565 mm
Height	598 mm
Width	596 mm

Safety

Advanced cooling system	•
Balanced oven door	•
CoolTouch door	•

Other product downloads available at fisherpaykel.com

-  [User Guide](#)
-  [Service & Warranty Booklet](#)
-  [Installation Guide](#)
-  [Resources \(zip\)](#)



A PEACE OF MIND SALE
24 Hours 7 Days a Week Customer Support
T 1300 650 590 W www.fisherpaykel.com