

FISHER & PAYKEL

GAS-ON-GLASS COOKTOP

**CG301D, CG302D, CG451D, CG603D, CG604D, CG752D, CG903D
& CG905D models**

INSTALLATION GUIDE

NZ AU

590149I 03.18

① SAFETY AND WARNINGS

⚠ WARNING!



Electrical Shock Hazard

Before carrying out any work on the electrical section of the appliance, it must be disconnected from the mains electricity supply.

Connection to a good earth wiring system is absolutely essential and mandatory.

Alterations to the domestic wiring system must only be made by a qualified electrician.

Failure to follow this advice may result in electrical shock or death.

⚠ WARNING!



Cut Hazard

Take care - panel edges are sharp.

Failure to use caution could result in injury or cuts.

IMPORTANT SAFETY INSTRUCTIONS

- Particular attention shall be given to the relevant requirements regarding ventilation.
- Read these instructions carefully before installing this product.
- Please make this information available to the person installing the appliance as it could reduce your installation costs.
- This appliance is to be installed and serviced only by an authorised person.
- Installation must comply with your local building and local gas authority codes and electricity regulations.
- Incorrect installation, for which the manufacturer accepts no responsibility, may cause personal injury or damage and could invalidate any warranty or liability claims.
- These appliances are registered in: (New Zealand) at www.energysafety.govt.nz and (Australia) with SAI Global at www.saiglobal.com.
- Appliances are factory set for Natural gas but are convertible to ULPG. If in doubt, refer to the local gas network operator or gas supplier to confirm gas type at installation site.
- Do not modify this appliance.
- Do not use or store flammable materials on or near this appliance.
- Do not spray aerosols in the vicinity of this appliance while it is in operation.
- Packing elements (eg plastic bags, polystyrene foam, staples, packing straps etc) and tools should not be left around during and after installation, especially if they are within easy reach of children, as these may cause serious injuries.
- You must remove the transit screws before installing the cooktop. See step 8 of installation instructions.

Before you install the appliance, please make sure that

- the local distribution conditions (nature of gas and pressure) and the adjustment of the appliance are compatible. For adjustment conditions for this appliance see 'Gas rate summary'.
- a suitable disconnection switch is incorporated in the permanent wiring, mounted and positioned to comply with the local wiring rules and regulations. A means of disconnection with at least a 3 mm air gap contact separation in all poles must be incorporated into the fixed wiring in accordance with the wiring rules, unless the local wiring rules allow for alternative means.
- the appliance is connected to a 220V - 240V 50Hz (10 A) power supply only and earthed via the power supply cable.
- there is a power outlet within reach of the power supply cable (900 mm from the centre rear of the product). This must be accessible after installation. The power supply cable should not touch any metal parts.
- if the power supply cable is damaged, it is replaced only by the special cable: Part no. 534993 KIT SPARES TRMNL BLK-FLEX 10, obtainable from authorised Fisher & Paykel Service Agents.
- the supply connection point (gas shut-off valve) is accessible after installation.
- the benchtop is made of a heat resistant material.
- the installation complies with all the requirements of Australian and New Zealand Gas Installation Standards (AS/NZS 5601.1.2010), including that the product has to be installed so that the surface temperature of any nearby combustible surface will not exceed 65 OC above ambient. See step 5 'Clearance Dimensions'.

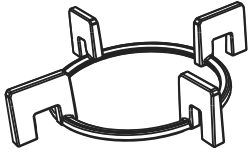
When you install the appliance

- As servicing requires removing of the cooktop from the benchtop we do not recommend flush mounting. To the fullest extent permissible by law, the owner carries all risk for flush mounting of the cooktop. The owner must ensure the cooktop has been cut out from the benchtop before servicing can be carried out. Fisher & Paykel will not be liable for any costs associated with removing or replacing a flush-mounted and/or sealed-in product, nor for repairing any damage that may be incurred by doing this. Fisher & Paykel does not exclude any statutory liability it may have and which by law cannot be excluded, because of the giving of this notice.
- If installed with an approved flexible hose, the hose should not come in contact with the bottom of the appliance or any sharp edges. Flexible hose assemblies should be AS/NZS 1869 Class B or Class D certified with a maximum length of 1.20m.
- Seal exposed bare edges of the cutout with an oil-based paint or moisture-proof polyurethane to prevent possible moisture creeping between the cooktop trim and the benchtop.
- Take extreme care not to chip, crack, or break the top glass surfaces during installation. A heavy metal tool or part accidentally dropped on the glass could damage it.
- If, after following the instructions given, correct performance cannot be achieved, please contact your nearest Fisher & Paykel Authorised Service Centre, Customer Care, or contact us through our local website listed at the end of this document.

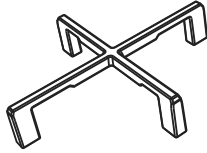
IMPORTANT! SAVE THESE INSTRUCTIONS

The models shown in this installation guide may not be available in all markets and are subject to change at any time. For current details about model and specification availability in your country, please go to our website www.fisherpaykel.com or contact your local Fisher & Paykel dealer.

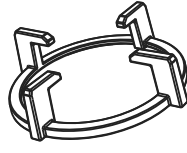
② PARTS SUPPLIED



Dual Wok Pan support
(Models with a Dual Wok only)



Pan support
(not supplied with
Dual Wok only models)



Mini wok Pan
support (1)
(CG604D only)



Small pan support (1)
(some models only)



Wok stand (1)



Fibre washer (1)



Elbow 1/2" BSP
external thread (1)



Clamping
brackets (4)
and screws



ULPG test point
adaptor (1)
(ULPG models only)



NG regulator (1)
(NG models only)

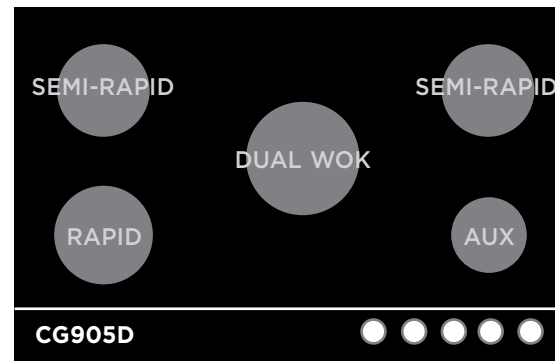
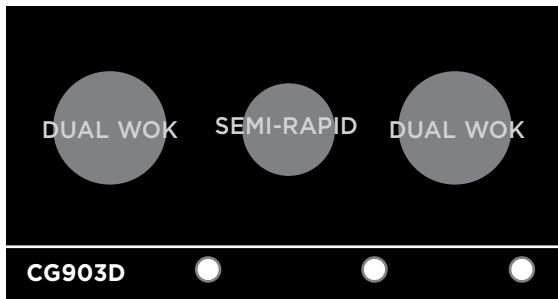
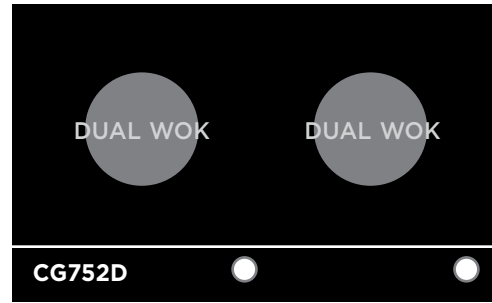
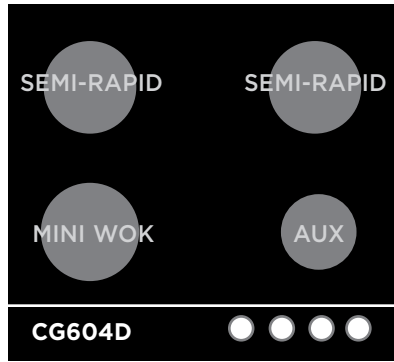
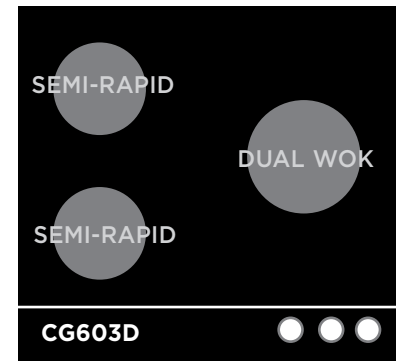
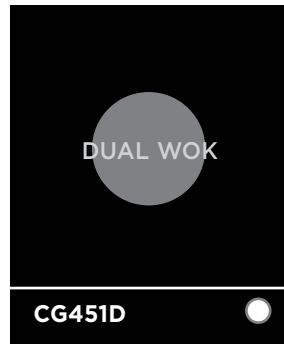
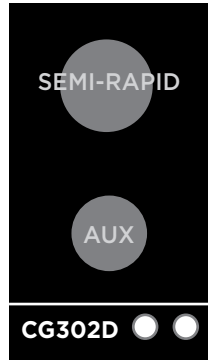
Installing multiple products

Note: We recommend installing multiple products in separate cutouts, with a minimum 5mm space between the glass edges of the adjacent products. If installing multiple products adjacent to each other within the same cutout, a separate joining strip kit is required for installation.

The kit is available from the nearest Fisher & Paykel Authorised Service Centre or our website listed at the end of this document.

If installing different products adjacent to each other (eg a wok burner next to an induction cooktop), the minimum clearance measurements for the different products may vary. Always use the greater distance

3 GAS RATE SUMMARY-MODELS



③ GAS RATE SUMMARY

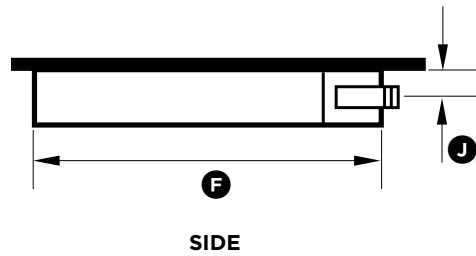
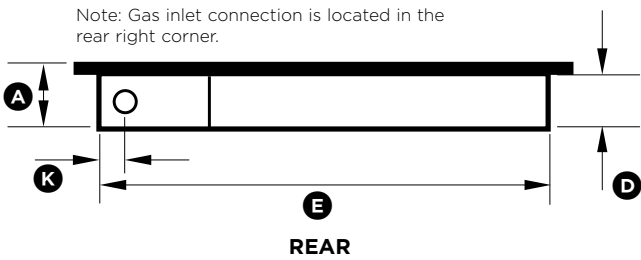
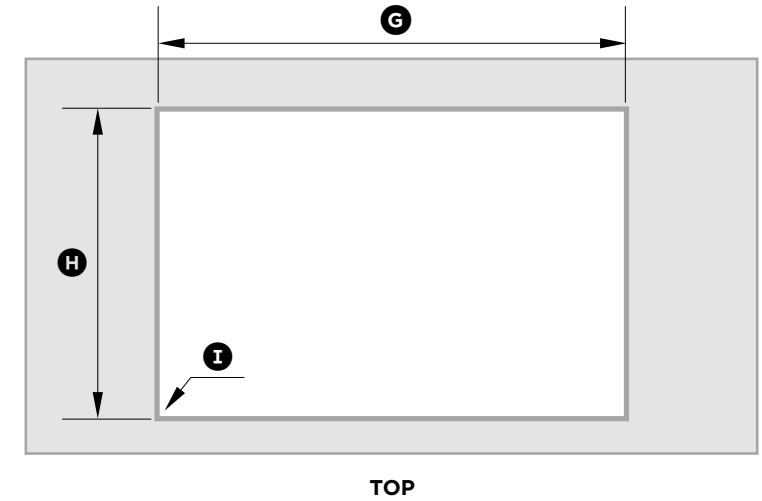
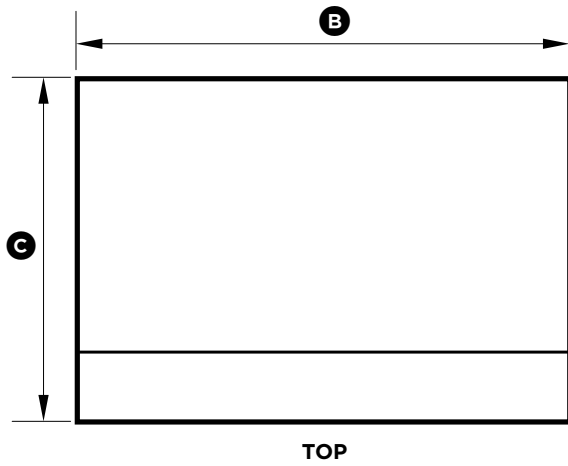
All appliances are factory set for either Natural Gas or ULPG and are not convertible.
Check the 'Gas type' sticker on the base of the appliance.

GAS TYPE	CG301D		CG302D				CG451D		CG603D			
	DUAL WOK		AUX		SEMI-RAPID		DUAL WOK		SEMI-RAPID		DUAL WOK	
	Jet size (mm)	Nominal rating (MJ/h)	Jet size (mm)	Nominal rating (MJ/h)	Jet size (mm)	Nominal rating (MJ/h)	Jet size (mm)	Nominal rating (MJ/h)	Jet size (mm)	Nominal rating (MJ/h)	Jet size (mm)	Nominal rating (MJ/h)
NG (1.00 kPa)*	1.45 1.45 0.70	21.50	1.00	5.00	1.35	8.80	1.43 1.43 0.70	21.0	1.30	8.40	1.26 1.26 0.70	16.60
ULPG (2.75 kPa)*	0.80 0.80 0.50	20.50	0.64	5.00	0.80	8.10	0.80 0.80 0.50	20.50	0.76	7.50	0.73 0.73 0.50	16.80

GAS TYPE	CG604D		CG752D		CG903D		CG905D			
	AUX		SEMI-RAPID		RAPID		MINI WOK		DUAL WOK	
	Jet size (mm)	Nominal rating (MJ/h)	Jet size (mm)	Nominal rating (MJ/h)	Jet size (mm)	Nominal rating (MJ/h)	Jet size (mm)	Nominal rating (MJ/h)	Jet size (mm)	Nominal rating (MJ/h)
NG (1.00 kPa)*	0.85	3.60	1.30	8.30	1.55	11.50	1.55	11.70	1.30 1.30 0.70	18.00
ULPG (2.75 kPa)*	0.55	3.60	0.76	7.50	0.94	11.50	0.94	11.70	0.76 0.76 0.50	18.00

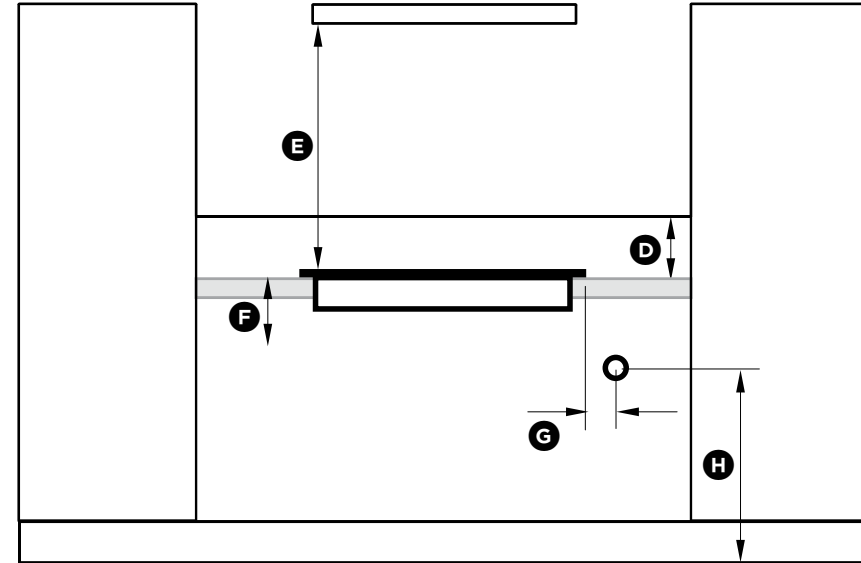
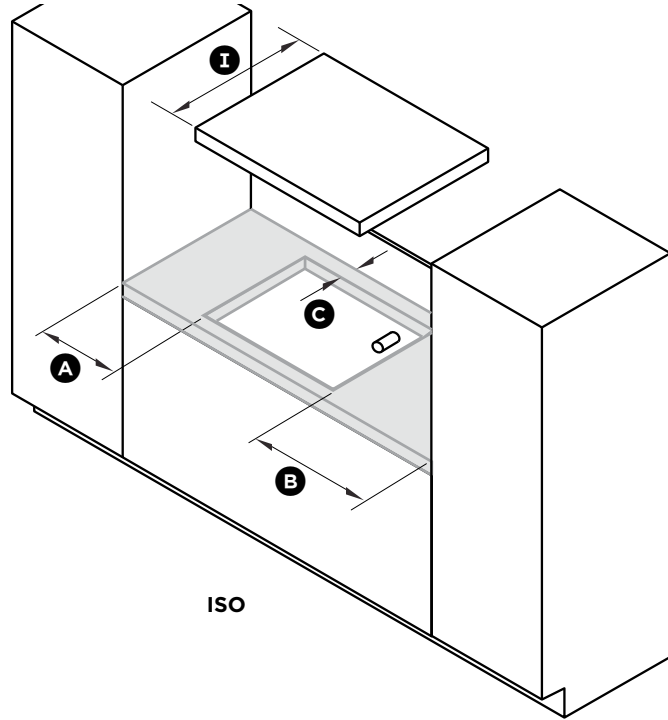
*Nominal pressure with at least one large burner on High.

④ PRODUCT & CABINERY DIMENSIONS



PRODUCT AND CABINERY DIMENSIONS	CG301D	CG302D	CG451D	CG603D	CG604D	CG752D	CG903D	CG905D
	mm	mm	mm	mm	mm	mm	mm	mm
(A) Overall height of product (excluding burners, dials and pan supports)	64	64	64	64	64	64	64	64
(B) Overall width of product	300	300	450	600	600	750	900	900
(C) Overall depth of product	530	530	530	530	530	450	450	530
(D) Height of chassis (below top of bench)	59	59	59	59	59	59	59	59
(E) Width of chassis	256	256	406	555	555	706	856	856
(F) Depth of chassis	486	486	486	486	486	410	410	486
(G) Overall width of cutout	260	260	415	560	560	715	865	865
(H) Overall depth of cutout	490	490	490	490	490	410	410	490
(I) Corner radius of cutout	max. 10	max. 10	max. 10	max. 10	max. 10	max. 10	max. 10	max. 10
(J) Distance from top of bench to centre of gas inlet on product	30	30	30	30	30	30	30	30
(K) Distance from edge of chassis to gas inlet on product	21	21	21	21	21	21	21	21

5 CLEARANCE DIMENSIONS

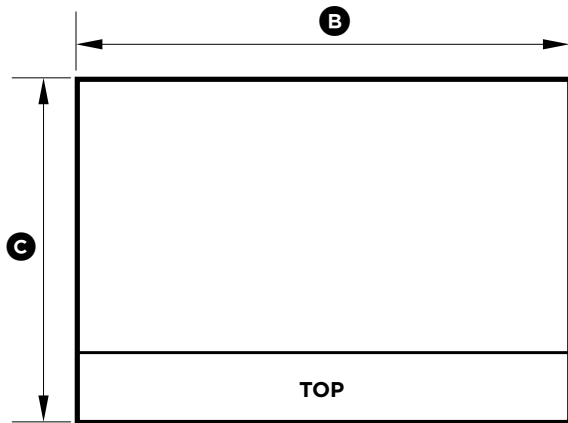


FRONT

CLEARANCE DIMENSIONS	CG301D	CG302D	CG451D	CG603D	CG604D	CG752D	CG903D	CG905D
	mm	mm	mm	mm	mm	mm	mm	mm
(A) Minimum clearance from left edge of cutout to nearest combustable surface	120	120	60	115	130	115	115	130
(B) Minimum clearance from right edge of cutout to nearest combustable surface	120	120	60	115	115	115	115	115
(C) Minimum clearance from rear edge of cutout to:								
	Nearest combustable surface	85	160	85	160	160	125	160
Nearest non-combustible surface	45	45	45	45	45	45	45	45
(D) Minimum height of non-combustible material when used on adjacent walls	150	150	150	150	150	150	150	150
(E) Minimum clearance from cooktop surface to:								
	Rangehood	650	650	650	650	650	650	650
	Any other overhead exhaust fan	800	800	800	800	800	800	800
	Downward facing combustable surface	650	650	650	650	650	650	650
Downwards-facing tiled or fire resistant surface	500	500	500	500	500	500	500	
(F) Minimum clearance below top of benchtop to:								
	Combustable surface	70	70	70	70	70	70	70
	Fisher & paykel oven or nearest non-combustible surface	65	65	65	65	65	65	65
(G) Minimum distance from right edge of cooktop to gas connection point on wall (if using a flexible hose)	250	250	250	250	250	250	250	250
(H) Distance from floor to gas connection point on wall (if using a flexible hose)	min. 800 - max. 850	min. 800 - max. 850	min. 800 - max. 850	min. 800 - max. 850	min. 800 - max. 850	min. 800 - max. 850	min. 800 - max. 850	min. 800 - max. 850
(I) Maximum overall depth of overhead cabinetry	600	600	600	600	600	600	600	600

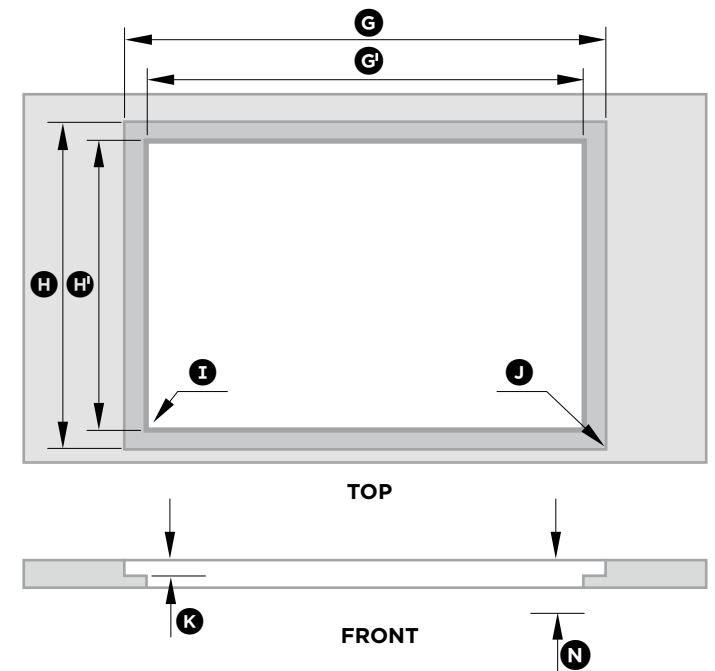
Note: Ensure there is an earthed power outlet within 900 mm of the centre rear of the product. The gas connector on the wall should be 800-850 mm (H) above the floor and to a distance of at least 250 mm (G) outside the width of the product, on the right-hand side. It should be accessible with the product installed.

⑥ FLUSH MOUNTING INSTALLATION (OPTIONAL)

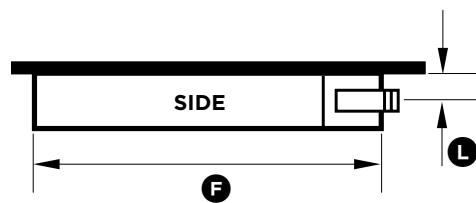
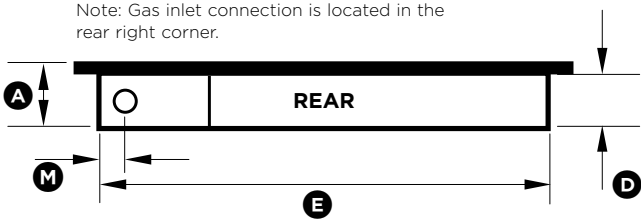


⚠ WARNING!

We do not recommend flush mounting and sealing as servicing requires the cooktop to be removed from the benchtop. The owner carries all risk for flush mounting the cooktop. The owner must ensure the cooktop has been cut out from the benchtop before servicing can be carried out. Fisher & Paykel will not be liable for any costs associated with removing or replacing a flush-mounted and/or sealed-in product, nor for repairing any damage that may be incurred by doing this.



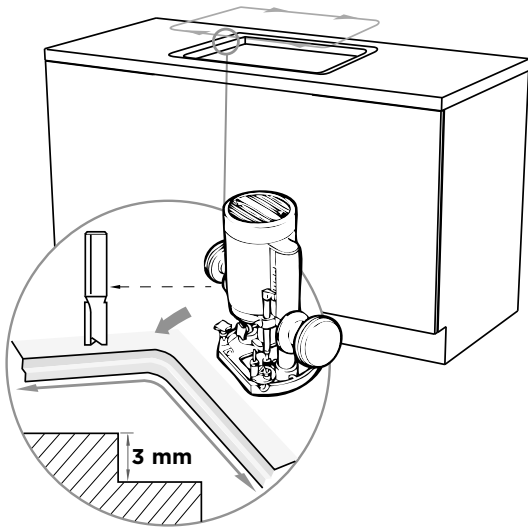
Note: Gas inlet connection is located in the rear right corner.



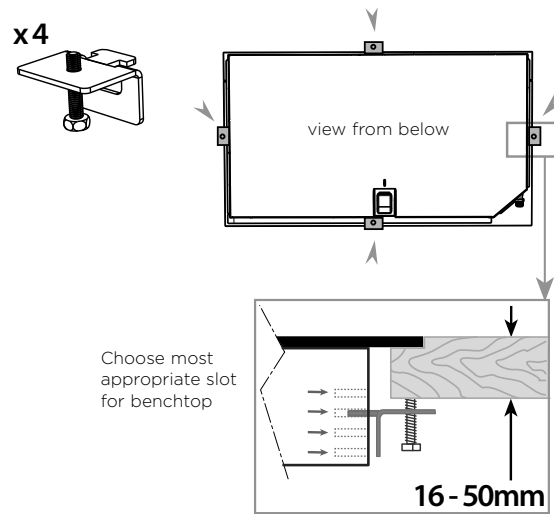
PRODUCT AND CABINERY DIMENSIONS	CG301D	CG302D	CG451D	CG603D	CG604D	CG752D	CG903D	CG905D
	mm	mm	mm	mm	mm	mm	mm	mm
Ⓐ Overall height of product (excluding burners, dials and pan supports)	64	64	64	64	64	64	64	64
Ⓑ Overall width of product	300	300	450	600	600	750	900	900
Ⓒ Overall depth of product	530	530	530	530	530	450	450	530
Ⓓ Height of chassis (below top of bench)	64	64	64	64	64	64	64	64
Ⓔ Width of chassis	256	256	406	555	555	706	856	856
Ⓕ Depth of chassis	486	486	486	486	486	410	410	486
Ⓖ Overall width of routed recess	305	305	455	605	605	755	905	905
Ⓖ' Width of cutout	260	260	415	560	560	715	865	865
Ⓗ Overall depth of routed recess	535	535	535	535	535	455	455	535
Ⓗ' Depth of cutout	490	490	490	490	490	410	410	490
Ⓘ Corner radius of cutout	max. 10	max. 10	max. 10	max. 10	max. 10	max. 10	max. 10	max. 10
Ⓙ Corner radius of routed recess	max. 2	max. 2	max. 2	max. 2	max. 2	max. 2	max. 2	max. 2
Ⓚ Height of routed recess	5	5	5	5	5	5	5	5
Ⓛ Distance from top of bench to centre of gas inlet on product	35	35	35	35	35	35	35	35
Ⓜ Distance from edge of chassis to gas inlet on product	21	21	21	21	21	21	21	21
Ⓝ Minimum clearance below top of benchtop to: rear top of oven* installed below cooktop or cabinetry thermal protection barrier	75 70	75 70	75 70	75 70	75 70	75 70	75 70	75 70

⑥ FLUSH MOUNTING INSTALLATION (OPTIONAL)

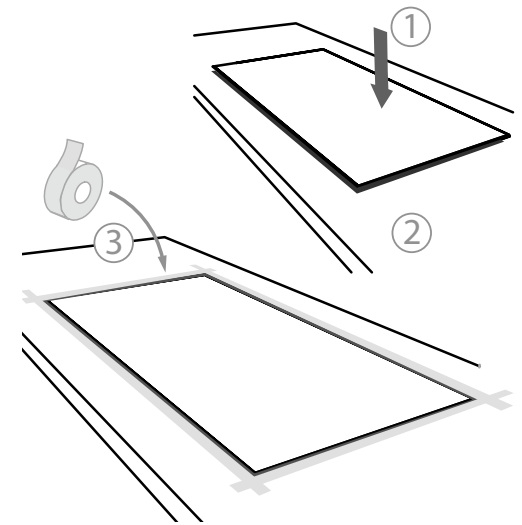
① ROUTER THE BENCHTOP TO THE SPECIFIED DEPTH



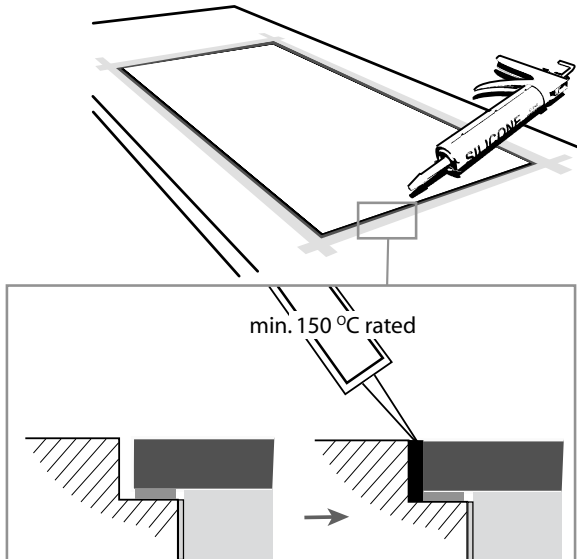
② FIT THE CLAMPING BRACKETS



③ MASK OFF THE AREA TO BE SILICONED

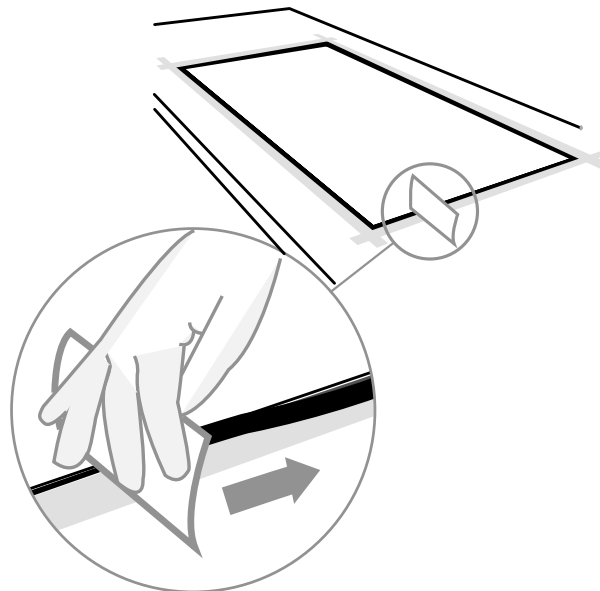


④ APPLY SILICONE

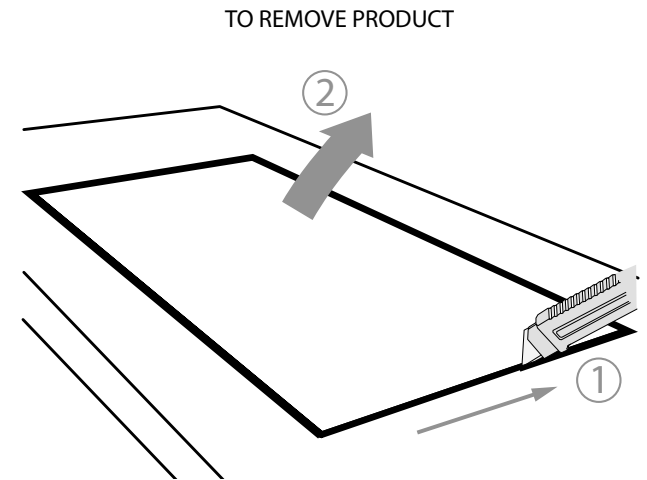


Ensure silicone does not leak underneath the glass.

⑤ WIPE OFF EXCESS SILICONE

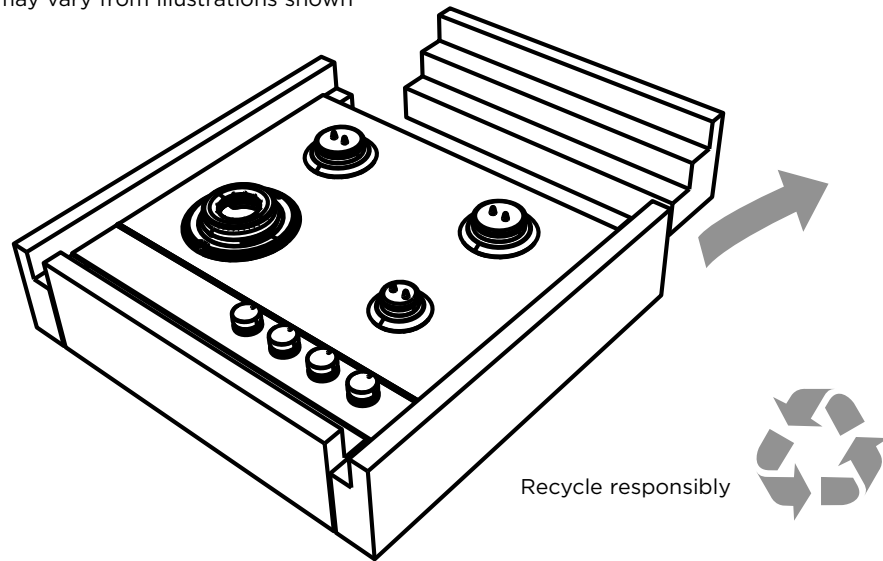


⑥ IF REMOVING PRODUCT, CUT AROUND THE SILICONE

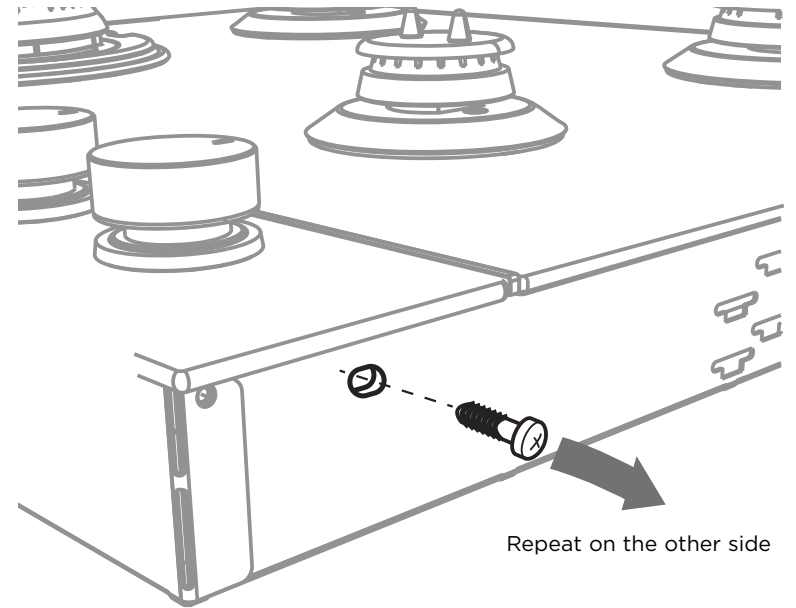


7 DISCARD PACKAGING

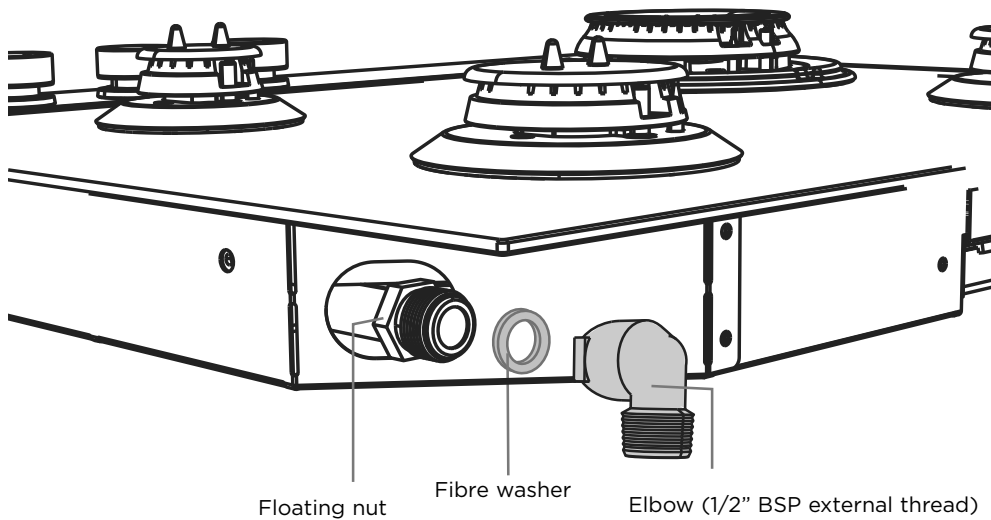
Model may vary from illustrations shown



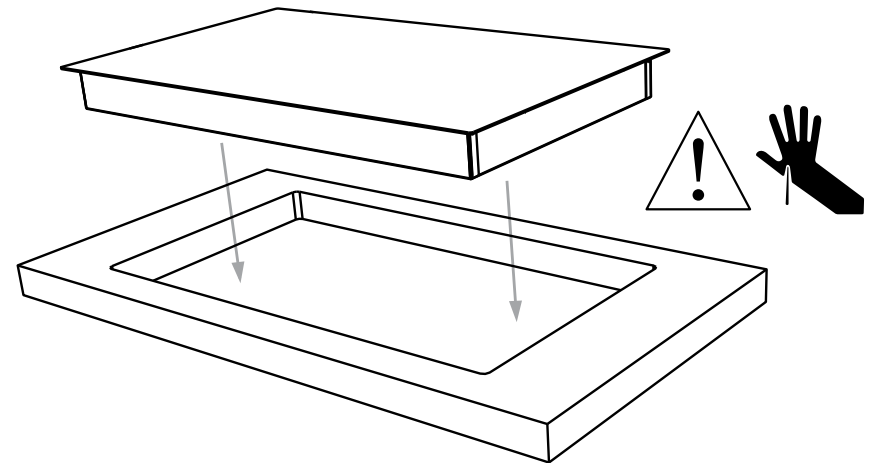
8 REMOVE THE TWO TRANSIT SCREWS



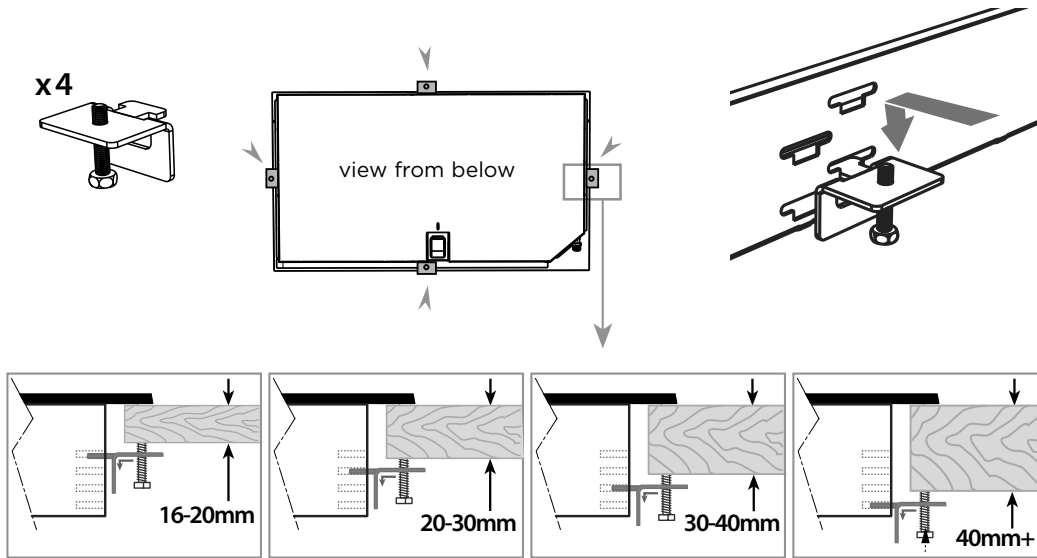
9 FIT THE ELBOW AND WASHER



10 LOWER GENTLY INTO THE CUTOUT

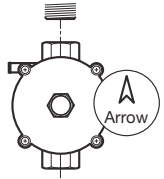


11 FIT CLAMPING BRACKETS BASED ON THE BENCHTOP THICKNESS



13 CONNECT TO GAS SUPPLY

NG Models



- Make sure to fit the supplied regulator.
- Adjust to obtain a **test point pressure of 1 kPa** with all burners operating at highest setting.

LPG Models



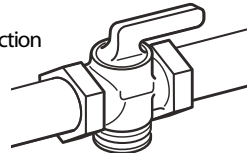
- Make sure to fit the supplied test point adaptor.
- Make sure the **supply pressure is regulated to 2.75 kPa**, with all burners operating at highest setting.

ALL Models

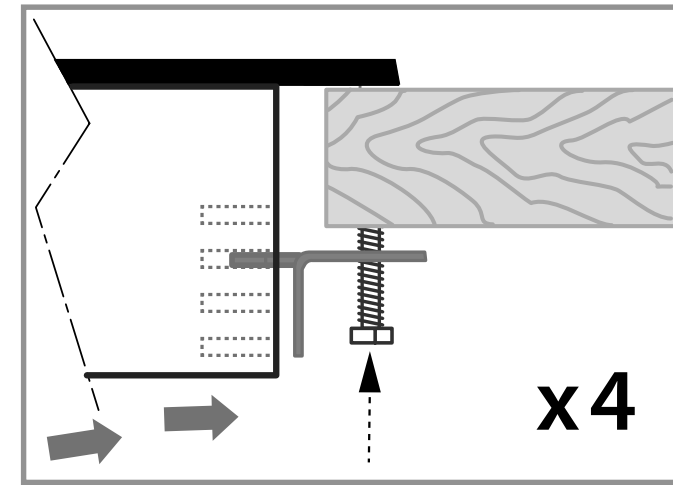
- Make sure the connection point will be accessible with the cooktop installed.
- To enable the gas supply to be readily shut off by the customer, make sure the connection is fitted with an isolating valve close to the cooktop.

If connecting the gas with a flexible hose:

- Ensure the hose is long enough to allow for removal of cooktop for servicing.
- Make sure the connector is located as shown in step 5 CLEARANCE DIMENSIONS.
- The hose assembly must be AS/NZS 1869 Class B or D certified, with an Rp 1/2" (ISO 7-1) female thread connection.
- The hose assembly must be no longer than 1.2 m in length with minimum internal diameter of 10 mm and comply with relevant AS 5601/NZS 5261 requirements.
- The hose must not be kinked, subjected to abrasion or permanently deformed.
- The hose must not be near or in contact with any hot surfaces (e.g. base of metal hotplate, flue, or chassis of underbench oven etc.)

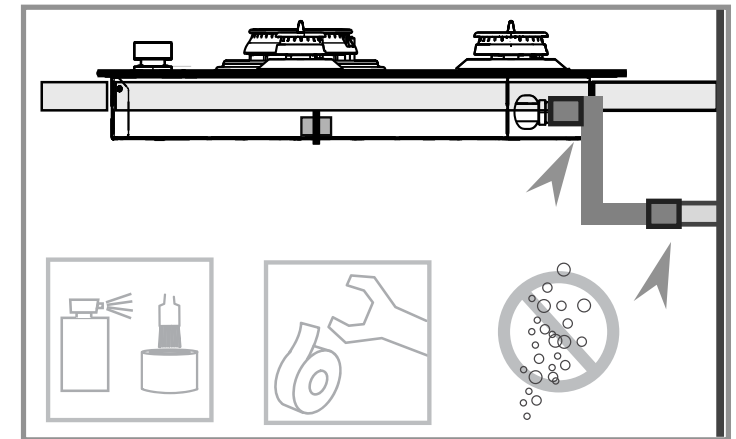
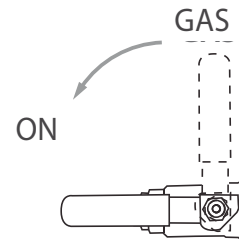


12 SECURE TO BENCHTOP

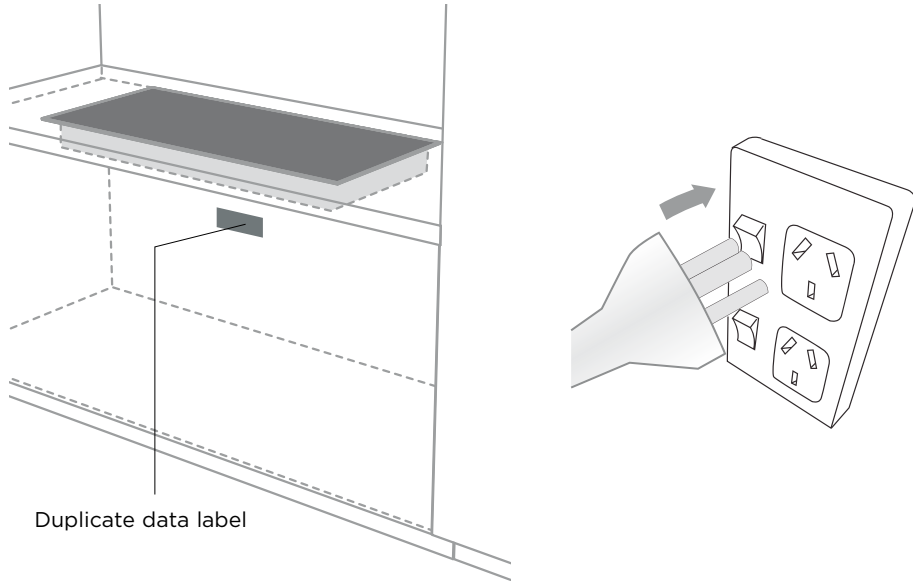


Repeat on all the other sides

14 CHECK ALL CONNECTIONS FOR GAS LEAKS

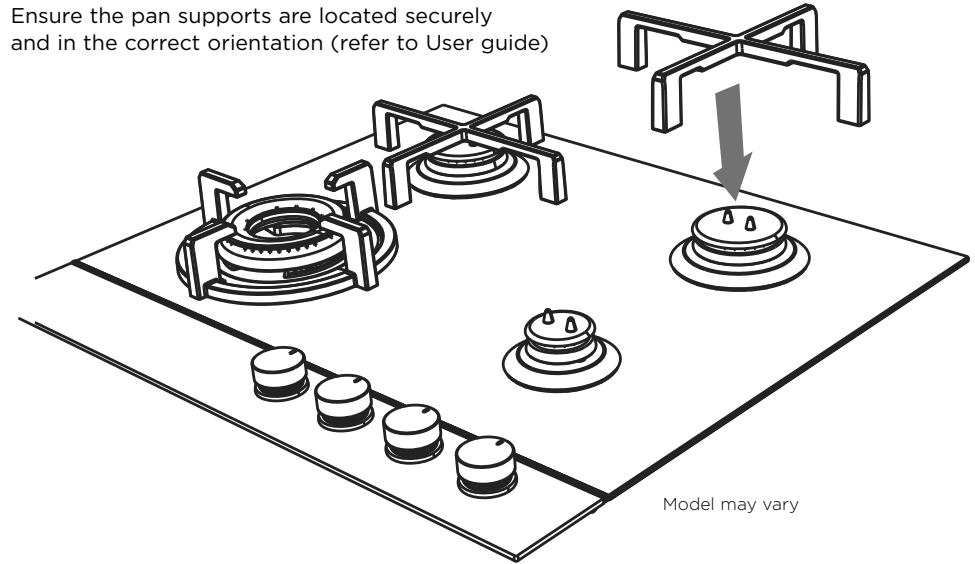


14 AFFIX DUPLICATE DATA LABEL SOMEWHERE ACCESSIBLE & PLUG COOKTOP IN



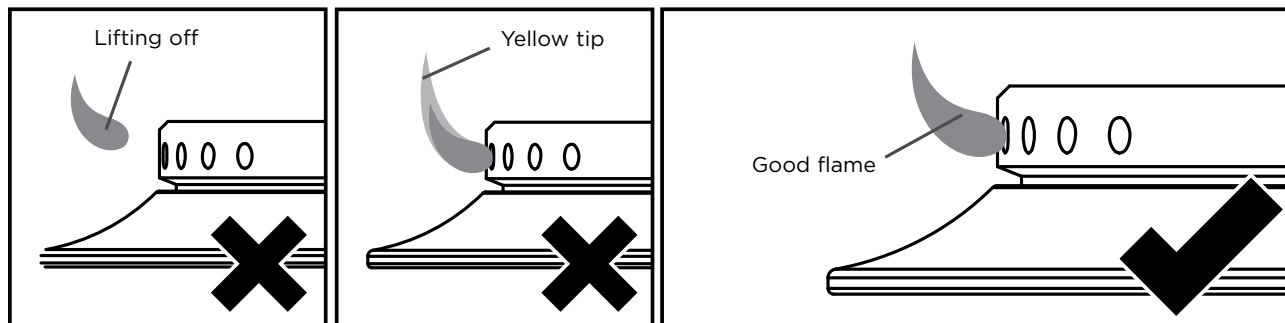
15 FIT PAN SUPPORTS

Ensure the pan supports are located securely and in the correct orientation (refer to User guide)



16 TEST OPERATION

- To check that the ignition system operates correctly, light each burner by itself, then all burners in combination.
- Check for a well-defined blue flame without any yellow tipping.
- If any abnormality is evident, check that the components of the burner assembly are located properly
- If proper operation cannot be obtained, contact Customer Care or your nearest F&P Authorized Service Center.
- The cooktop must not be used by the customer until proper operation has been achieved.



✓ **TO BE COMPLETED BY THE INSTALLER**

- Have you installed the clamping brackets?
- Have you verified that the type of model (factory-set for NG or ULPG) matches the type of gas at the site of installation?
- Have you used the fibre washer supplied?
- Have you sealed all connections with gas tape?
- Have you leak-tested all connections?
- Is the cooktop set to the correct working pressure?
- Have you affixed the supplied duplicate data plate label on an adjacent surface accessible to the customer?
- Is the cooktop earthed?
- Check that the power supply cord is NOT touching the cooktop.

OPERATION:

- Do all burners ignite both individually and in combination?
- Are the flames consistent and appropriately sized?
- Have you demonstrated the basic operation to the customer?

Complete and keep for safe reference:

Model _____

Serial No. _____

Purchase Date _____

Purchaser _____

Dealer Address _____

Installer's Name _____

Installer's Signature _____

Installation Company _____

Installation Date _____

FISHERPAYKEL.COM

© Fisher & Paykel Appliances 2018. All rights reserved.
The product specifications in this booklet apply to the specific products and models described at the date of issue. Under our policy of continuous product improvement, these specifications may change at any time. You should therefore check with your Dealer to ensure this booklet correctly describes the product currently available.

NZ AU

5901491 03.18