

Freestanding Refrigerator Freezer, 79cm, 519L

Series 7 | Contemporary

Stainless Steel | Left hinge

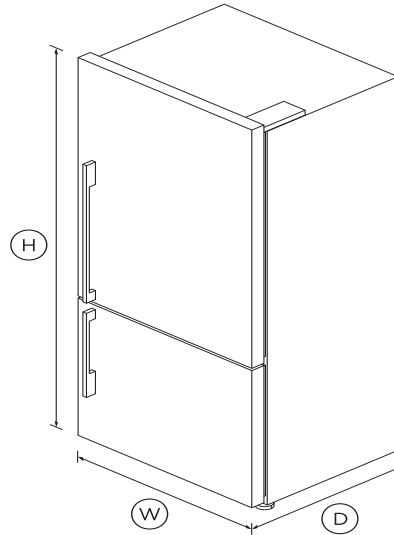


With ample storage and a stylish stainless steel finish, for a timeless look.

- ActiveSmart™ technology helps keep food fresher for longer by constantly maintaining the ideal temperature.
- Spacious bottom freezer with easy-slide internal drawers to separate storage

DIMENSIONS

Height	1715 mm
Width	790 mm
Depth	695 mm



FEATURES & BENEFITS

ActiveSmart™ Foodcare

ActiveSmart™ Foodcare learns how you live. It's technology which understands how you use your refrigerator and adjusts temperature, airflow and humidity inside to help keep food fresher for longer.

Simple storage

This refrigerator is designed to make it simple for you to store, access and remove food. Storage bins give you full access inside when they're pulled open and can be easily removed to clean.

Our flexible shelving also gives you more storage options.

Clever energy

Your fridge adapts to daily use by cooling and defrosting only when needed. This means your fridge uses the energy it needs without compromising on food care.

SPECIFICATIONS

Capacity

Freezer	159L
Refrigerator	360L
Total gross capacity	519L

Consumption

Energy star rating	3.5
Energy usage	412kWh/year

Freezer features

Bottle chill	•
Door alarm	•
Fast freeze	•
Freezer bins	3
Ice tray	2

Performance

ActiveSmart™ Foodcare	•
ActiveSmart™ technology	•
Adaptive defrost	•
Frost free	•
Frost free freezer	•
Humidity control system	•

Sabbath mode •

SKU 24493

Product dimensions

Depth	695 mm
Depth (excluding handles)	695 mm
Depth (including handles)	730 mm
Height	1715 mm
Height to top of cabinet	1715 mm
Minimum air clearance - each	20 mm
Minimum air clearance - on top	50 mm
Width	790 mm

The product dimensions and specifications in this page apply to the specific product and model. Under our policy of continuous improvement, these dimensions and specifications may change at any time. You should therefore check with Fisher & Paykel's Customer Care Centre to ensure this page correctly describes the model currently available. Â© Fisher & Paykel Appliances Ltd 2019.

Refrigerator features


Adjustable glass shelves	4
Adjustable half width door	2
Covered door shelves	2
Door alarm	•
Front levelling feet	•
Full extension runners	•
Full width door shelves	2
Humidity controlled crisper	2
LED lighting	•
Rear rollers	•
Single bottle holders	4
SmartTouch control panel	•

Warranty


Parts and labour	2 years
Sealed system parts only	additional 3 years

Other product downloads available at fisherpaykel.com

 [User Guide](#)

 [Service & Warranty Booklet](#)

 [Installation Guide](#)

 [Resources \(zip\)](#)



A PEACE OF MIND SALE
24 Hours 7 Days a Week Customer Support
T 1300 650 590 W www.fisherpaykel.com